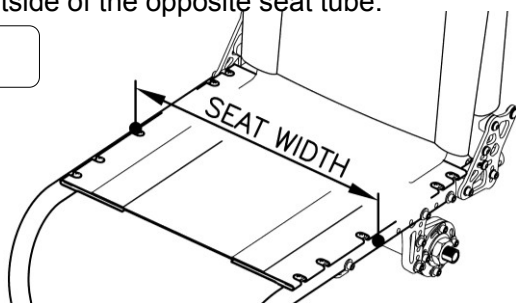


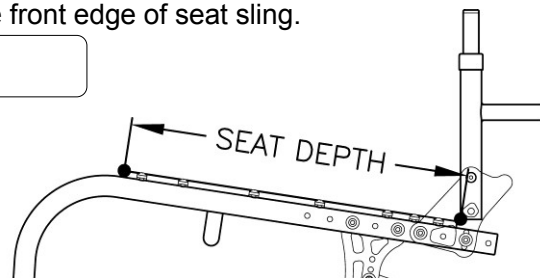
### 1. SEAT WIDTH

Measure from outside of seat tube to the outside of the opposite seat tube.



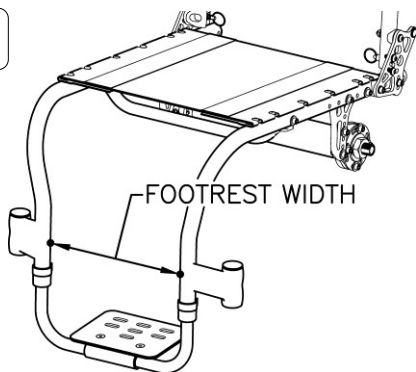
### 2. SEAT DEPTH

Measure from at the front bottom of backrest tube to the front edge of seat sling.



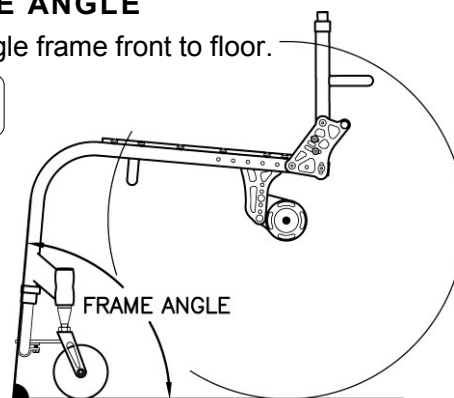
### 3. FOOTREST WIDTH

Measure from inside of front frame tube to inside of opposite front frame tube.



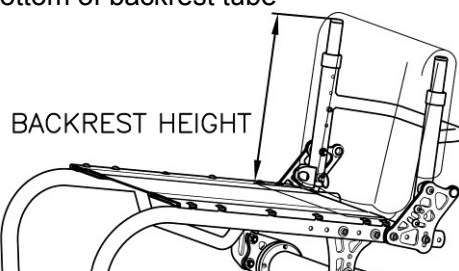
### 4. FRAME ANGLE

Measure angle frame front to floor.



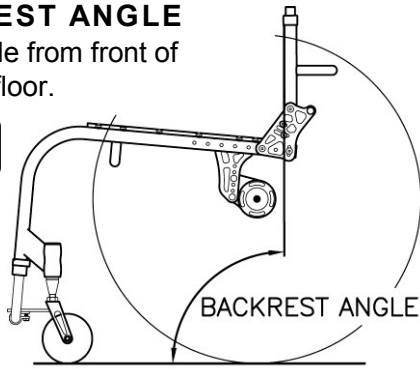
### 5. BACKREST HEIGHT

Measure from top of back post to seat sling at front bottom of backrest tube



## 6. BACKREST ANGLE

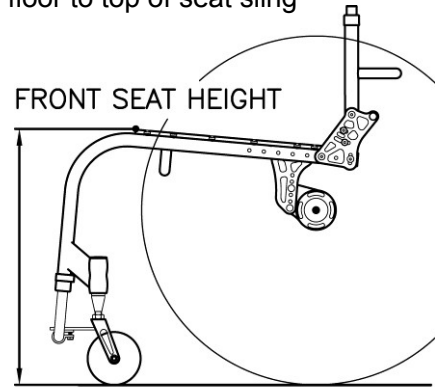
Measure angle from front of back post to floor.



## 7. FRONT SEAT HEIGHT

Measure from floor to top of seat sling at front edge.

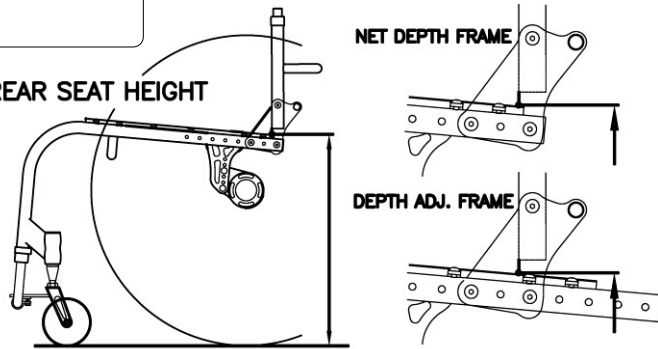
FRONT SEAT HEIGHT



## 8. REAR SEAT HEIGHT

Measure from floor to top of seat sling at front bottom of backrest tube

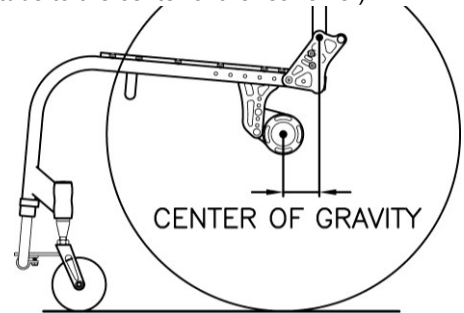
REAR SEAT HEIGHT



## 9. CENTER OF GRAVITY

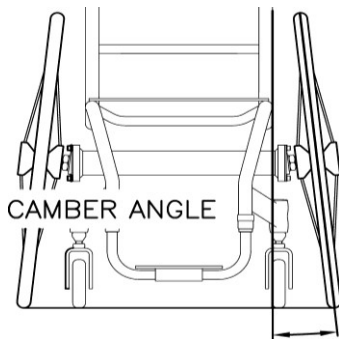
Measure from center of back tube at the folding pivot to the center of the rear axle.

( If welding backrest is selected, Measure from center of back tube at the seat tube to the center of the rear axle.)



## 10. CAMBER ANGLE

Measure angle from wheel to vertical at floor.

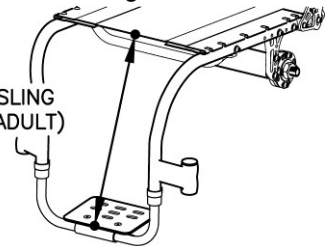


## 11. FRONT OF SEAT SLING TO FOOTREST

### ADULT CHAIR

Measure from top of seat sling at front edge to top of foot plate at front edge.

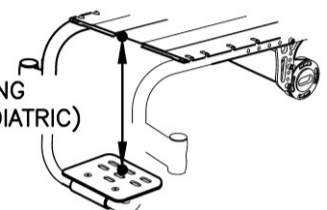
FRONT OF SEAT SLING TO FOOTREST (ADULT)



### PEDIATRIC CHAIR

Measure vertical from top of seat sling at front edge to top of foot plate.

FRONT OF SEAT SLING TO FOOTREST (PEDIATRIC)



## 12. INSIDE WHEEL CLEARANCE

Measure from outside of seat back tube to inside of rear tire.

( If side guards are selected, measure from outside of side guards to inside of rear tire.)

INSIDE WHEEL CLEARANCE

