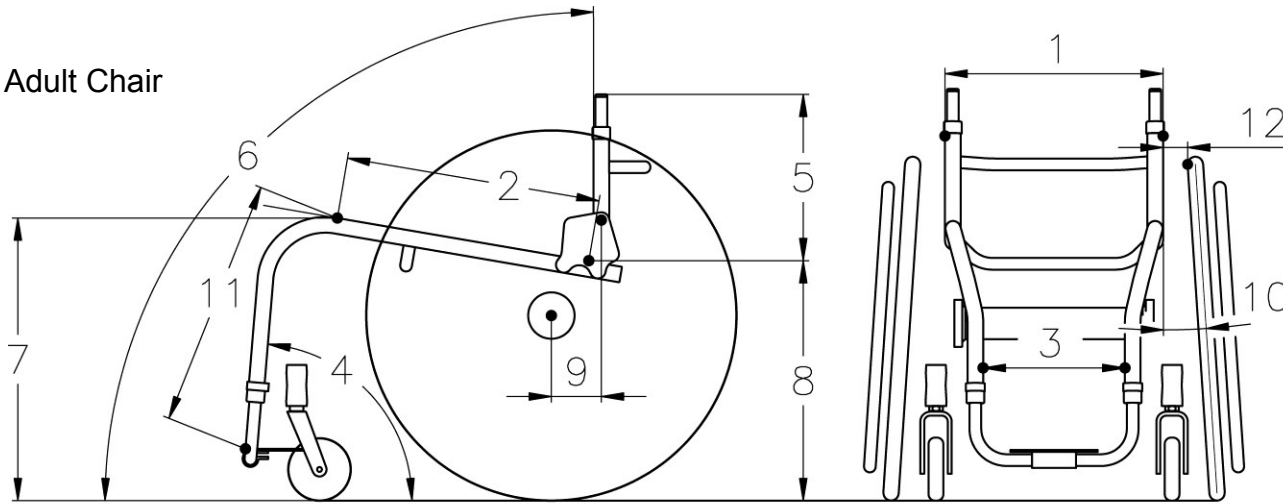
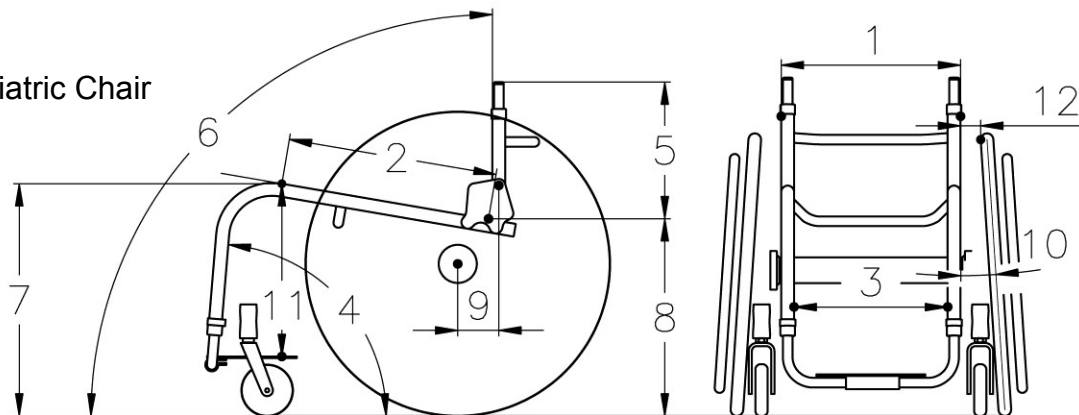


Customer Name :	Address :
Phone :	E-mail :
Chair Model :	

Adult Chair



Pediatric Chair



1. Seat Width
2. Seat Depth
3. Inside Footrest Width
4. Degree of Bend to Ground
5. Backrest Height
6. Backrest Angle
7. Front Seat Height
8. Rear Seat Height
9. Center of Gravity
10. Camber Angle
11. Seat to Front of Footrest
12. Inside Wheel Clearance