

# SHOCK BLADE

ORDER FORM  
Ver. 6.0 Rev-091211



Tel: 951-808-9131 FAX: 951-808-9949  
Toll Free: 800-892-8998 www.colourswheelchair.com

DEALER			COLOURS INFORMATION For Office Use Only		
Dealer:			Order Date: S/N:		
Account:		P.O.#:	<b>RTS</b>		
Ordered By:			RTS: Phone:		
Address:			Email:		
City:		State: Zip:	<b>SHIP TO</b>		
Phone:		Fax:	Name: Ship Via:		
Email:			Address:		
Customer Name:			City: State: Zip:		
Note			Phone: Fax:		

CHAIR INFORMATION	PRICE
<b>SHOCK BLADE K0005</b>	Base Wheel Chair Price <b>K0005</b> \$ 3,600
<b>Fixed FSH-RSH with Suspension (E1015)</b>	Total Section <b>A</b> \$
<b>Max. Capacity 250Lbs</b>	Total Section <b>B</b> \$
NOTE	Total Section <b>C</b> \$
	Total Section <b>D</b> \$
	Total Section <b>E</b> \$
	Total Section <b>F (Custom Parts Color)</b> \$
	<b>ORDER GRAND TOTAL</b> \$

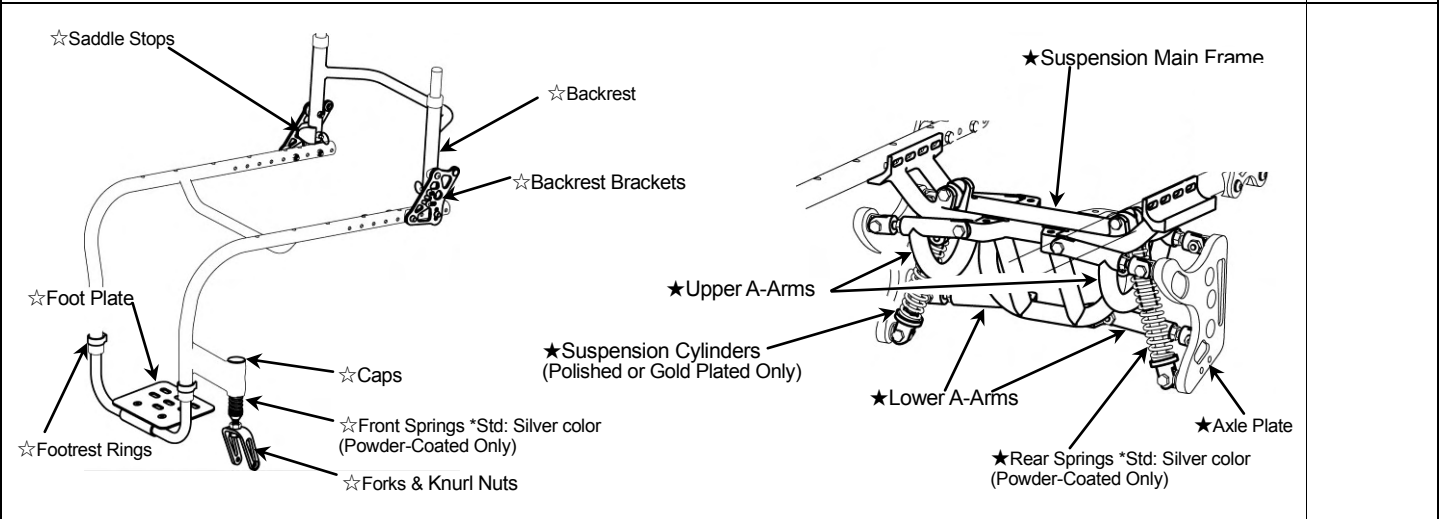
## A FRAME COLORS & PARTS COLORS

FRAME COLORS						
<b>Powder-Coated</b>	<input type="checkbox"/> Gloss Black	<input type="checkbox"/> Twilight Flake	<input type="checkbox"/> Yellow	<input type="checkbox"/> Magenta	<input type="checkbox"/> Fire Engine Red	<input type="checkbox"/> White
	<input type="checkbox"/> Candy Blue	<input type="checkbox"/> Candy Purple	<input type="checkbox"/> Candy Green	<input type="checkbox"/> Candy Red	<input type="checkbox"/> Candy Raspberry	<input type="checkbox"/> Cobalt Blue
	<input type="checkbox"/> Matte Gray	<input type="checkbox"/> Matte Purple	<input type="checkbox"/> Matte Blue	<input type="checkbox"/> Matte Green	<input type="checkbox"/> Matte Black	<input type="checkbox"/> Matte Red
	<input type="checkbox"/> Neon Red	<input type="checkbox"/> Neon Green	<input type="checkbox"/> Orange Sparkle	<input type="checkbox"/> Mellon Yellow	<input type="checkbox"/> Gun Smoke Silver	<input type="checkbox"/> Pigeon Blue
	<input type="checkbox"/> Granny Sparkle Green	<input type="checkbox"/> Sparkle Sky Blue	<input type="checkbox"/> Vermilion	<input type="checkbox"/> Reed Green	<input type="checkbox"/> Blue Lilac	\$ STD

<b>Special Colors</b>	<input type="checkbox"/> Polished Aluminum.....	\$ 800
	<input type="checkbox"/> 24 karat Gold Plated.....	\$ CFP

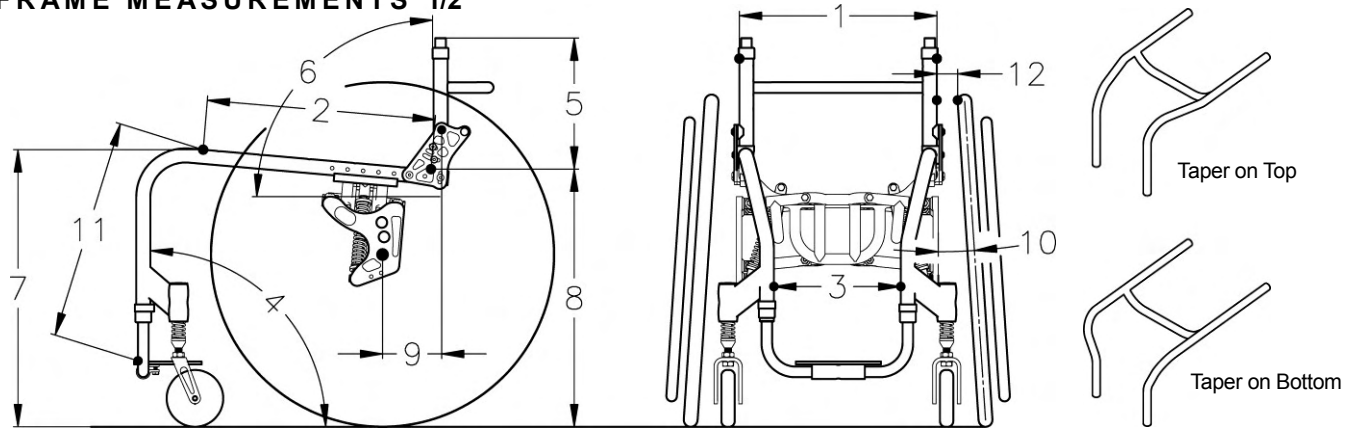
### PARTS COLORS ( Custom Parts Color Section, Please see Section F )

<b>STD Color</b>	Black Color (*Suspension Springs-Silver Color Only).....	\$ STD
<b>Custom Color Main Bolt on Parts One Color Package</b>	<input type="checkbox"/> Powder-Coated ( ).....	\$ 500
Including: Backrest, Foot Plate, Footrest Rings, Backrest Brackets, Saddle Stops, Forks & Knurl Nuts, Caps, Front Suspension Springs ☆marked parts	<input type="checkbox"/> Polished Aluminum.....	\$ 750
	<input type="checkbox"/> 24 karat Gold Plated.....	\$ CFP
<b>Custom Color Suspension Unit One Color Package</b>	<input type="checkbox"/> Powder-Coated ( ).....	\$ 250
Including: Axle Plates, Upper A-Arms, Lower A-Arms, Suspension Main Frame, Rear Suspension Springs ★marked parts	<input type="checkbox"/> Polished Aluminum.....	\$ 800
	<input type="checkbox"/> 24 karat Gold Plated.....	\$ CFP



<b>Total Section A</b>		\$
------------------------	--	----

## B FRAME MEASUREMENTS 1/2



<b>1. SEAT WIDTH</b>	<input type="checkbox"/> 14" <input type="checkbox"/> 15" <input type="checkbox"/> 16" <input type="checkbox"/> 17" <input type="checkbox"/> 18"    .....	\$	STD								
<b>2. SEAT DEPTH</b> * Only Choose One Option	<input type="checkbox"/> Net Seat Depth <input type="checkbox"/> 13" <input type="checkbox"/> 14" <input type="checkbox"/> 15" <input type="checkbox"/> 16" <input type="checkbox"/> 17" <input type="checkbox"/> 18" <input type="checkbox"/> 19".....	\$	STD								
	<input type="checkbox"/> Depth Adj. Frame <input type="checkbox"/> 20" .....	\$	E2203								
	<input type="checkbox"/> Short Frame (16" Depth) Set at <input type="checkbox"/> 13" <input type="checkbox"/> 14" <input type="checkbox"/> 15" <input type="checkbox"/> 16" .....	\$	STD								
	<input type="checkbox"/> Long Frame (19" Depth) Set at <input type="checkbox"/> 16" <input type="checkbox"/> 17" <input type="checkbox"/> 18" <input type="checkbox"/> 19" .....	\$	STD								
<input type="checkbox"/> Positioning Frame    Add (    " ) .....	\$	150									
<input type="checkbox"/> Ergo Seat Tubing Depth (    " ) ..... *Measurement must be 4" longer than your Center of Gravity	\$	200									
<b>3. FOOTREST WIDTH</b>	<input type="checkbox"/> STD (Seat Width Minus 5") <input type="checkbox"/> Taper on Top <input type="checkbox"/> Taper on Bottom .....	\$	STD								
	<input type="checkbox"/> Custom (    " ) <input type="checkbox"/> Taper on Top <input type="checkbox"/> Taper on Bottom .....	\$	150								
	<input type="checkbox"/> No Taper (Seat Width Minus 2") .....	\$	STD								
<b>FOOT PLATE STYLE</b>	<input type="checkbox"/> Standard single loop    with adjust. height & angle. STD Foot Plate .....	\$	K0040								
	<input type="checkbox"/> Single Flip-Back-single loop (no riser avail) with adjust. height & angle. STD Foot Plate .....	\$	K0040								
STD Foot Plate Size Chart	<table border="1"> <thead> <tr> <th>Your Footrest Width</th> <th>Foot Plate Size</th> </tr> </thead> <tbody> <tr> <td>8.5"-10.5"</td> <td>STD (W6.5"xD5")</td> </tr> <tr> <td>11.0"-13.0"</td> <td>Large (W8.5"xD6.5")</td> </tr> <tr> <td>13.5"-17.0"</td> <td>X-Large (W11"xD6.5")</td> </tr> </tbody> </table>	Your Footrest Width	Foot Plate Size	8.5"-10.5"	STD (W6.5"xD5")	11.0"-13.0"	Large (W8.5"xD6.5")	13.5"-17.0"	X-Large (W11"xD6.5")		
Your Footrest Width	Foot Plate Size										
8.5"-10.5"	STD (W6.5"xD5")										
11.0"-13.0"	Large (W8.5"xD6.5")										
13.5"-17.0"	X-Large (W11"xD6.5")										
<b>CUSTOM FOOT PLATE</b>	<input type="checkbox"/> Custom Foot Plate.    with adjust. height & angle ..... *Available Solid Plate Only	\$	75								
	<input type="checkbox"/> Custom Tubular Footrest ..... *Measurement must be 2.5" shorter than your Footrest Width	\$	250								
<b>4. FRAME ANGLE</b>	<input type="checkbox"/> 75° <input type="checkbox"/> 80° <input type="checkbox"/> 85° <input type="checkbox"/> 90°    to the ground .....	\$	STD								
	<input type="checkbox"/> Custom (    ° ) to the ground .....	\$	NCO								





**C WHEELS, TIRES & CASTERS, FORKS 2/2**

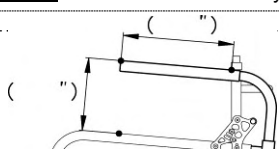
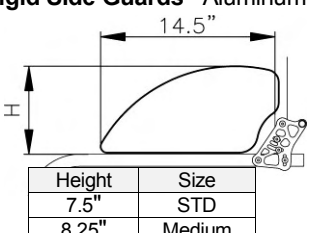
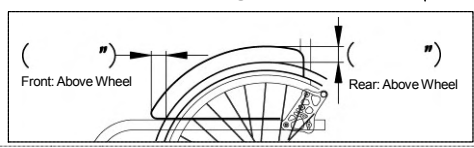
TIRES				
<input type="checkbox"/> High Pressure Tire	<input type="checkbox"/> 24"x1", <input type="checkbox"/> 25"x1" or <input type="checkbox"/> 26"x1"	Gray Tire with black wall Only	E2211/E2212	\$ STD
<input type="checkbox"/> High Pressure Tire	<input type="checkbox"/> 24"x1", <input type="checkbox"/> 25"x1" or <input type="checkbox"/> 26"x1"	<input type="checkbox"/> Blue <input type="checkbox"/> Red	E2211/E2212	\$ 65
<input type="checkbox"/> Low Pressure Tire	<input type="checkbox"/> 24"x1-3/8" or <input type="checkbox"/> 26"x1-3/8"	Gray Only	E2211/E2212	\$ STD
<input type="checkbox"/> E2211Schwalbe Marathon Plus High Pressure Tire	<input type="checkbox"/> 24"x1", <input type="checkbox"/> 25"x1" or <input type="checkbox"/> 26"x1"	Black Only	E2211/E2212	\$ 99
<input type="checkbox"/> Solid Tire	<input type="checkbox"/> 24"x1", <input type="checkbox"/> 25"x1" or <input type="checkbox"/> 26"x1"	<input type="checkbox"/> Dark Gray <input type="checkbox"/> Black( \$30up charge )	E2218	\$ 135
<input type="checkbox"/> E2211 Moderate V-Track Knobby Tire	24"x1-3/8" (37-540)	Gray Only	E2211/E2212	\$ 117
<input type="checkbox"/> E2211 Aggressive Knobby Tire	24"x 2" (50-540)	Gray Only	E2211/E2212	\$ 117
<input type="checkbox"/> E2211 Aggressive Knobby Tire	26"x 1.95" (50-559)	Black Only	E2211/E2212	\$ 117
<input type="checkbox"/> E2213 Flat-Free Inserts For 24"x1-3/8" Tires Only			E2211/E2213	\$ 117

CASTERS					
SIZE	TIRE WIDTH	HUB COLOR	TIRE COLOR	DESCRIPTION	
<input type="checkbox"/> 3"	1"	Black Hub	Black Tire Only	Polyeurathane	\$ STD
<input type="checkbox"/> 3"	1"	Plastic Black Hub	Clear Tire Only	Lighted, Polyeurathane	\$ 65
<input type="checkbox"/> 3"	1"	Red Hub	Red Tire Only	Polyeurathane	\$ STD
<input type="checkbox"/> 3"	1"	Black Hub	Clear Tire Only	Polyeurathane	\$ STD
<input type="checkbox"/> 3"	1"	Aluminum Silver Hub	Black Tire Only	Made By Flog Legs	\$ 160
<input type="checkbox"/> 3"	1"	Aluminum Black Hub	Black Tire Only	Made By Flog Legs	\$ 160
<input type="checkbox"/> 3"	1.5"	Aluminum Silver Hub	Black Tire Only	Soft Roll Made By Flog Legs	\$ 160
<input type="checkbox"/> 3"	1.5"	Aluminum Black Hub	Black Tire Only	Soft Roll Made By Flog Legs	\$ 160
<input type="checkbox"/> 4"	1"	Plastic Black Hub	Black Tire Only	Made By Flog Legs	\$ STD
<input type="checkbox"/> 4"	1"	Plastic Black Hub	Clear Only	Lighted, Polyeurathane	\$ 65
<input type="checkbox"/> 4"	1"	Aluminum Silver Hub	Black Tire Only	Made By Flog Legs	\$ 160
<input type="checkbox"/> 4"	1"	Aluminum Black Hub	Black Tire Only	Made By Flog Legs	\$ 160
<input type="checkbox"/> 4"	1.5"	Composite Black Hub	Tire <input type="checkbox"/> Black <input type="checkbox"/> Blue <input type="checkbox"/> Red	Soft Roll Made By Flog Legs	\$ 120
<input type="checkbox"/> 4"	1.5"	Aluminum Silver Hub	Tire <input type="checkbox"/> Black <input type="checkbox"/> Blue <input type="checkbox"/> Red	Soft Roll Made By Flog Legs	\$ 160
<input type="checkbox"/> 4"	1.5"	Aluminum Black Hub	Black Tire Only	Soft Roll Made By Flog Legs	\$ 160
<input type="checkbox"/> 5"	1"	Composite Black Hub	Black Tire Only		\$ STD
<input type="checkbox"/> 5"	1"	Plastic Black Hub	Clear Tire Only	Lighted, Polyeurathane	\$ 65
<input type="checkbox"/> 5"	1"	Composite Black Hub	Black Tire Only	Made By Flog Legs	\$ 120
<input type="checkbox"/> 5"	1"	Aluminum Silver Hub	Black Tire Only	Made By Flog Legs	\$ 160
<input type="checkbox"/> 5"	1"	Aluminum Black Hub	Black Tire Only	Made By Flog Legs	\$ 160
<input type="checkbox"/> 5"	1.5"	Composite Black Hub	Tire <input type="checkbox"/> Black <input type="checkbox"/> Blue <input type="checkbox"/> Red	Soft Roll Made By Flog Legs	\$ 120
<input type="checkbox"/> 5"	1.5"	Aluminum Silver Hub	Tire <input type="checkbox"/> Black <input type="checkbox"/> Blue <input type="checkbox"/> Red	Soft Roll Made By Flog Legs	\$ 160
<input type="checkbox"/> 5"	1.5"	Aluminum Black Hub	Black Tire Only	Soft Roll Made By Flog Legs	\$ 160

FORKS				
<input type="checkbox"/> STD Aluminum Forks	Black Only			\$ STD
Extra Options for Aluminum Forks	<input type="checkbox"/> With Suspension Springs		E1015	\$ 55
	<input type="checkbox"/> With Quick Release Axles		K0073	\$ 107
<input type="checkbox"/> Frog Leg Suspension Forks Std 1" Wide (For 3", 4" x 1" width Caster and 5" lighted Caster)	(Not available with Quick Release Axles)	Color <input type="checkbox"/> Anodized Black <input type="checkbox"/> Anodized Silver	E1015	\$ 535
<input type="checkbox"/> Frog Leg Suspension Forks 1.5" Wide (For 3", 4" x 1.5" width Caster and 5" Caster)	(Not available with Quick Release Axles)	Color <input type="checkbox"/> Anodized Black <input type="checkbox"/> Anodized Silver	E1015	\$ 535

Sub Total Section C 1/2	\$
Sub Total Section C 2/2	\$
<b>Total Section C</b>	<b>\$</b>

**D COMPONENTS**

<b>WHEEL LOCKS</b>								
<input type="checkbox"/> Push to Lock / Anodized Black Only .....		\$ STD						
<input type="checkbox"/> NEW Compact Push to Lock / Anodized Black Only <input type="checkbox"/> w/ 2" Extension Handle (\$65 up charge) .....		\$ 110						
<input type="checkbox"/> NEW Compact Scissor Lock / Anodized Black Only .....		\$ 110						
<b>PUSH HANDLES</b>								
<input type="checkbox"/> Integrated w/Fixed Backrest Height / Anodized Black Only .....		\$ STD						
<input type="checkbox"/> Bolt-on / Anodized Black Only Specify Height from floor ( " ) .....		\$ 142						
<input type="checkbox"/> Bolt-on w/Quick Release / Anodized Black Only Specify Height from floor ( " ) .....		\$ 190						
<input type="checkbox"/> NEW Height Adj. / Anodized Black Only Specify Maximum height from floor ( " ) .....		\$ 295						
<b>ARM RESTS</b>								
<input type="checkbox"/> Aluminum, Padded – Swing Away ( Adj. Height Range 8" - 12.5" ) Set at " from Seat / Anodized Black Only .....	E0973	\$ 225						
<input type="checkbox"/> Custom Length & Height Aluminum, Padded – Swing Away Armrests .....	E0973	\$ 375						
Anodized Black Only								
								
<b>ANTI-TIPPERS</b>								
<input type="checkbox"/> Anti-Tippers (pair) w/ Quick Release / Anodized Black Only .....	E0971	\$ 112						
<b>SIDE GUARDS</b>								
<input type="checkbox"/> Rigid Side Guards - Black ABS <input type="checkbox"/> Non-Removable <input type="checkbox"/> Removable <input type="checkbox"/> Removable w/Hole (\$10 up charge) .....		\$ 142						
Size: <input type="checkbox"/> STD <input type="checkbox"/> Medium <input type="checkbox"/> Cut to Wheel (\$98 up charge) Measurement								
Color: Black Only								
<input type="checkbox"/> Rigid Side Guards - Aluminum <input type="checkbox"/> Non-Removable <input type="checkbox"/> Removable .....		\$ 197						
Size: <input type="checkbox"/> Medium Only <input type="checkbox"/> Cut to Wheel (\$98 up charge) Measurement								
Color <input type="checkbox"/> Black (STD) <input type="checkbox"/> Pol. Aluminum (STD)								
<input type="checkbox"/> Powder Coated ( ) (\$50 up charge)								
<input type="checkbox"/> Gold Plate (+CFP)								
								
<table border="1"> <tr> <th>Height</th> <th>Size</th> </tr> <tr> <td>7.5"</td> <td>STD</td> </tr> <tr> <td>8.25"</td> <td>Medium</td> </tr> </table>		Height	Size	7.5"	STD	8.25"	Medium	
Height	Size							
7.5"	STD							
8.25"	Medium							
								
<input type="checkbox"/> PRO-TEX Fender Guards / (Black ABS -Only) <input type="checkbox"/> Cut to Fit Specs <input type="checkbox"/> Do Not Install .....		\$ 175						
<input type="checkbox"/> Fabric Clothing Guards Black Nylon w/Velcro .....		\$ 78						
<b>SEAT CUSHION</b>								
<input type="checkbox"/> Foam Cushion w/Nylon Cover Thickness <input type="checkbox"/> 1" <input type="checkbox"/> 2" <input type="checkbox"/> 3" <input type="checkbox"/> 4" .....		\$ 78						
*Please see section E for other cushion choices.								
<b>MISCELLANEOUS</b>								
<input type="checkbox"/> Frame Protectors / Black Leather/Zipper Type .....		\$ 78						
<input type="checkbox"/> K0065 Spoke Protectors / Black Only <input type="checkbox"/> 24" <input type="checkbox"/> 25" <input type="checkbox"/> 26" .....	K0065	\$ 107						
<input type="checkbox"/> E0978 Seat Belt w/Auto Buckle (BP) 1.5" Black Belt Only .....	E0978	\$ 69						
<input type="checkbox"/> Tie Down Brackets 4pcs. ....		\$ 210						
<b>SPECIALTY PARTS</b>								
<input type="checkbox"/> Wheelchair Tray Size: <input type="checkbox"/> 11" x 13" <input type="checkbox"/> 13" x 15" <input type="checkbox"/> 13" x 17" / Color: <input type="checkbox"/> Raw Alum. <input type="checkbox"/> Black Alum. <input type="checkbox"/> Polish Alum. (\$250 up charge) .....		\$ 250						
<input type="checkbox"/> Ski Tips on Caster Forks .....		\$ 275						
<b>UPHOLSTERY CHOICE &amp; COLOR</b> *Positioning Back Available. Please see Section E								
<input type="checkbox"/> Standard Adjustable Ht Backrest Black Only .....		\$ STD						
<input type="checkbox"/> Adjustable Tension Backrest Black Only (*Not available with 8" Backrest Height) .....		\$ 135						
Custom <input type="checkbox"/> Custom Colored For Std. or Adj. Style <input type="checkbox"/> Black <input type="checkbox"/> Red .....		(\$60 up charge)						
Options <input type="checkbox"/> Fabrics for Fun .....	<input type="checkbox"/> 001 <input type="checkbox"/> 002 <input type="checkbox"/> 003 <input type="checkbox"/> 004 <input type="checkbox"/> 006 <input type="checkbox"/> 010 <input type="checkbox"/> 011 .....	(\$95 up charge)						
For Std. or Adj. Style <input type="checkbox"/> 014 <input type="checkbox"/> 015 <input type="checkbox"/> 016 <input type="checkbox"/> 017 <input type="checkbox"/> 018 <input type="checkbox"/> 020 <input type="checkbox"/> 021 .....	<input type="checkbox"/> 022 <input type="checkbox"/> 023 <input type="checkbox"/> 024 <input type="checkbox"/> 025 <input type="checkbox"/> 026 <input type="checkbox"/> 027 <input type="checkbox"/> 028							
<input type="checkbox"/> Backrest Leather Trim (outside panels) .....		(\$77 up charge)						
<input type="checkbox"/> Calf Strap <input type="checkbox"/> Black <input type="checkbox"/> Matching Fabric (\$55 up charge) -Select Fabric ( ) .....	K0038	\$ 24						
<input type="checkbox"/> Matching Fabric on Padded Side Guards -Select Fabric ( ) .....		\$ 210						
<input type="checkbox"/> Cushion Cover (Std. Foam Cushion Only)-Select Fabric ( ) Width " Depth " Thickness " .....		\$ 90						
<b>Total Section D \$</b>								

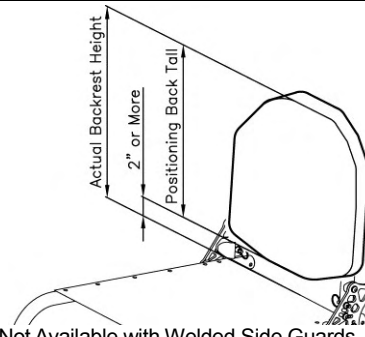
**E CHAIR OPTIONS 1/2**

SEAT CUSHION				
<b>SUPRACOR® WHEELCHAIR CUSHIONS</b>				
<b>Stimulite® Contoured Cushion</b> *Black Upholstery only	<input type="checkbox"/> W 14"xD 16" (CD1416) .....	E2603	\$ 525	
	<input type="checkbox"/> W 16"xD 16" (CD1616) .....	E2603	\$ 525	
	<input type="checkbox"/> W 16"xD 18" (CD1618) .....	E2603	\$ 525	
	<input type="checkbox"/> W 18"xD 16" (CD1816) .....	E2603	\$ 525	
	<input type="checkbox"/> W 18"xD 18" (CD1818) .....	E2603	\$ 525	
	<input type="checkbox"/> W 18"xD 20" (CD1820) .....	E2603	\$ 540	
	<input type="checkbox"/> W 20"xD 16" (CD2016) .....	E2603	\$ 540	
	<input type="checkbox"/> W 20"xD 18" (CD2018) .....	E2603	\$ 540	
	<input type="checkbox"/> W 20"xD 20" (CD2020) .....	E2603	\$ 555	
		<input type="checkbox"/> Extra Sensitive ( <b>\$30 up charge</b> ) <input type="checkbox"/> Sling Style Bottom ( <b>\$45 up charge</b> ) <input type="checkbox"/> Custom Size W(       " ) x D(       " ) ( \$- CFP )		
<b>Stimulite® Slimline Cushion</b> *Black Upholstery only	<input type="checkbox"/> W 14"xD 16" (SM1416) .....	E2603	\$ 495	
	<input type="checkbox"/> W 16"xD 16" (SM1616) .....	E2603	\$ 495	
	<input type="checkbox"/> W 16"xD 18" (SM1618) .....	E2603	\$ 495	
	<input type="checkbox"/> W 18"xD 18" (SM1818) .....	E2603	\$ 495	
	<input type="checkbox"/> W 18"xD 20" (SM1820) .....	E2603	\$ 495	
	<input type="checkbox"/> W 20"xD 16" (SM2016) .....	E2603	\$ 510	
	<input type="checkbox"/> W 20"xD 18" (SM2018) .....	E2603	\$ 510	
	<input type="checkbox"/> W 20"xD 20" (SM2020) .....	E2603	\$ 510	
		<input type="checkbox"/> Extra Sensitive ( <b>\$30 up charge</b> ) <input type="checkbox"/> Sling Style Bottom ( <b>\$45 up charge</b> ) <input type="checkbox"/> Custom Size W(       " ) x D(       " ) ( \$- CFP )		
	<b>Stimulite® Corbee Pediatric</b> *Black Upholstery only	<input type="checkbox"/> W 10"xD 10" (PD1010) .....	E2603	\$ 450
<input type="checkbox"/> W 12"xD 12" (PD1212) .....		E2603	\$ 450	
<input type="checkbox"/> W 14"xD 14" (PD1414) .....		E2603	\$ 450	
		<input type="checkbox"/> Extra Sensitive ( <b>\$30 up charge</b> ) <input type="checkbox"/> Sling Style Bottom ( <b>\$45 up charge</b> ) <input type="checkbox"/> Custom Size W(       " ) x D(       " ) ( \$- CFP )		
<b>ROHO WHEELCHAIR CUSHIONS</b>				
<input type="checkbox"/> <b>4" HIGH PROFILE® QUADTRO SELECT® CUSHION</b> Width (       " ) x Depth (       " )		E2622-2623	\$ 525	
*Available 12"-24" width *Black Upholstery only				
<input type="checkbox"/> <b>3" MID PROFILE® QUADTRO SELECT® CUSHION</b> *Black Upholstery only -Choose Size		E2622-2623	\$ 525	
<input type="checkbox"/> W 15"xD 15 <input type="checkbox"/> W 15"xD 16 <input type="checkbox"/> W 16"xD 16 <input type="checkbox"/> W 16"xD 18 <input type="checkbox"/> W 18"xD 16" <input type="checkbox"/> W 18"xD 18"				
<input type="checkbox"/> <b>2" LOW PROFILE® QUADTRO SELECT® CUSHION</b> *Black Upholstery only   Width (       " ) x Depth (       " )		E2622-2623	\$ 525	
*Available 12"-20" width				
<input type="checkbox"/> <b>2" NEXUS SPIRIT® CUSHION</b> *Black Upholstery only -Choose Size		E2622	\$ 525	
<input type="checkbox"/> W 15"xD 15 <input type="checkbox"/> W 16"xD 16 <input type="checkbox"/> W 16"xD 18 <input type="checkbox"/> W 17"xD 17 <input type="checkbox"/> W 18"xD 16" <input type="checkbox"/> W 18"xD 18" <input type="checkbox"/> W 20"xD 18"				
<b>STAR CUSHIONS</b>				
<b>Galaxy Cushion</b> *Black Upholstery only	<input type="checkbox"/> W 14"xD 14" ( GXY 1414-2) .....	E2624	\$ 405	
	<input type="checkbox"/> W 14"xD 16" ( GXY 1416-2) .....			
	<input type="checkbox"/> W 16"xD 14" ( GXY 1614-2) .....			
	<input type="checkbox"/> W 16"xD 16" ( GXY 1616-2) .....			
	<input type="checkbox"/> W 16"xD 18" ( GXY 1618-2) .....			
	<input type="checkbox"/> W 18"xD 16" ( GXY 1816-2) .....			
	<input type="checkbox"/> W 18"xD 18" ( GXY 1818-2) .....			
	<input type="checkbox"/> W 18"xD 20" ( GXY 1820-2) .....			
	<input type="checkbox"/> W 20"xD 16" ( GXY 2016-2) .....			
	<input type="checkbox"/> W 20"xD 18" ( GXY 2018-2) .....			
<input type="checkbox"/> W 20"xD 20" ( GXY 2020-2) .....				
	Choose Zoning Options <input type="checkbox"/> Standard - Dual Valve <input type="checkbox"/> Dual Valve - Front to Back <input type="checkbox"/> Four Valve <input type="checkbox"/> Simple - Single Valve <input type="checkbox"/> Four Valve - Enhanced <input type="checkbox"/> Four Valve - Front to Back			
<b>NOTE</b>				

**E CHAIR OPTIONS 2/2**

**POSITIONING BACK**

Note : Actual height of the backrest will increase 2" or more.



**ADI CARBON BACKREST (Support Contour-ACTIVE 2.5")** \*Not Available with Welded Side Guards

Mounting Hardware:  2 Point Pro  Quick Release

Height	<input type="checkbox"/> <b>LOW</b> (10" Tall) *Backrest Height requires 12" or more *Available 13"-19" width	Width ( )	<b>E2613</b>	\$ 745
	<input type="checkbox"/> <b>Medium</b> (13" Tall) *Backrest Height requires 15" or more *Available 13"-19" width	Width ( )	<b>E2613</b>	\$ 815
	<input type="checkbox"/> <b>Standard</b> (16" Tall) *Backrest Height requires 18" or more *Available 13"-19" width	Width ( )	<b>E2613</b>	\$ 880
	<input type="checkbox"/> <b>Custom Size</b> ( " Tall ) x ( " width )		<b>E2613</b>	\$ CFP

**ADI ALUMINUM BACKREST (Support Contour-ACTIVE 2.5")** \*Not Available with Welded Side Guards

Mounting Hardware:  2 Point Pro  Quick Release

Height	<input type="checkbox"/> <b>LOW</b> (10" Tall) *Backrest Height requires 12" or more *Available 10"-20" width	Width ( )	<b>E2613</b>	\$ 610
	<input type="checkbox"/> <b>Medium</b> (13" Tall) *Backrest Height requires 15" or more *Available 12"-20" width	Width ( )	<b>E2613</b>	\$ 625
	<input type="checkbox"/> <b>Standard</b> (16" Tall) *Backrest Height requires 18" or more *Available 14"-20" width	Width ( )	<b>E2613</b>	\$ 640
	<input type="checkbox"/> <b>Tall</b> (18" Tall) *Backrest Height requires 20" or more *Available 16"-20" width	Width ( )	<b>E2613</b>	\$ 655
	<input type="checkbox"/> <b>X-Tall</b> (20" Tall) *Backrest Height requires 22" or more *Available 16"-20" width	Width ( )	<b>E2613</b>	\$ 670
	<input type="checkbox"/> <b>Custom Size</b> ( " Tall ) x ( " width )		<b>E2613</b>	\$ CFP

**ADI ALUMINUM BACKREST (Support Contour-DEEP 4")** \*Not Available with Welded Side Guards

Mounting Hardware:  2 Point Pro  Quick Release

Height	<input type="checkbox"/> <b>LOW</b> (10" Tall) *Backrest Height requires 12" or more *Available 10"-20" width	Width ( )	<b>E2615</b>	\$ 710
	<input type="checkbox"/> <b>Medium</b> (13" Tall) *Backrest Height requires 15" or more *Available 12"-20" width	Width ( )	<b>E2615</b>	\$ 725
	<input type="checkbox"/> <b>Standard</b> (16" Tall) *Backrest Height requires 18" or more *Available 14"-20" width	Width ( )	<b>E2615</b>	\$ 740
	<input type="checkbox"/> <b>Tall</b> (18" Tall) *Backrest Height requires 20" or more *Available 16"-20" width	Width ( )	<b>E2615</b>	\$ 755
	<input type="checkbox"/> <b>X-Tall</b> (20" Tall) *Backrest Height requires 22" or more *Available 16"-20" width	Width ( )	<b>E2615</b>	\$ 770
	<input type="checkbox"/> <b>Custom Size</b> ( " Tall ) x ( " width )		<b>E2615</b>	\$ CFP

**OTHER**

<input type="checkbox"/> <b>ADI Transfer Board</b> <input type="checkbox"/> 21" (ADV21) <input type="checkbox"/> 24" (ADV24) <input type="checkbox"/> 29" (ADV29)	\$ 62
<input type="checkbox"/> <b>ADI Push and Transfer Gloves</b> <b>Leather</b> (one size fits)	\$ 60
<input type="checkbox"/> <b>ADI Carbon Solid Seat</b> (Wide: 18" Max, Depth: 20" Max)	\$ 625
<input type="checkbox"/> <b>ADI Folding Carbon Side Guard</b>	\$ 400
<input type="checkbox"/> <b>ADI Fixed Carbon Side Guard</b>	\$ 375

**NOTE**

**Sub Total Section E 1/2 \$**

**Sub Total Section E 2/2 \$**

**Total Section E \$**

**F SPECIAL PARTS COLORS ( Please allow an additional 1-2 weeks delivery)**

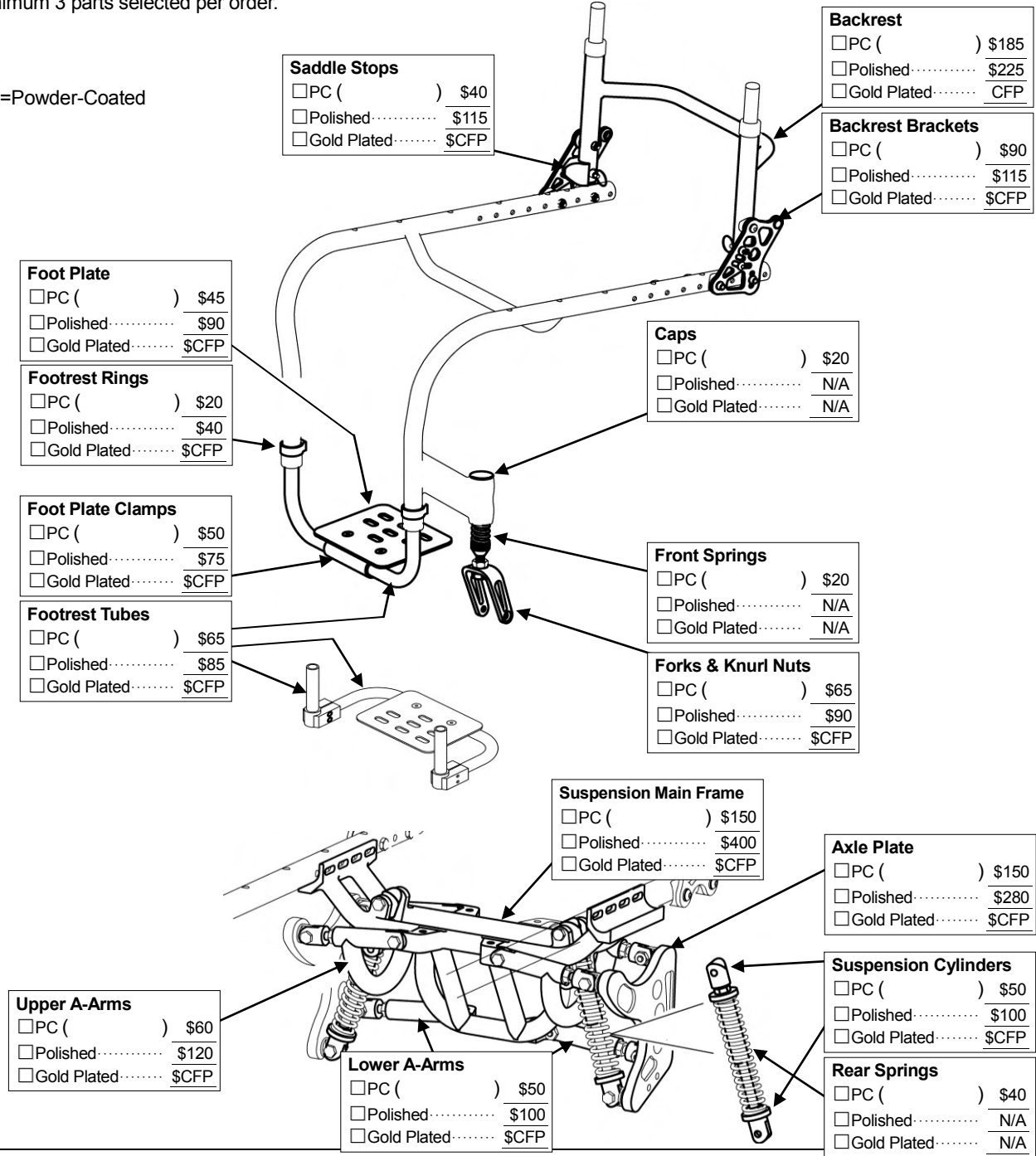
PARTS COLORS						
<b>Powder-Coated</b>	Gloss Black	Twilight Flake	Yellow	Magenta	Fire Engine Red	White
	Candy Blue	Candy Purple	Candy Green	Candy Red	Candy Raspberry	Cobalt Blue
	Matte Gray	Matte Purple	Matte Blue	Matte Green	Matte Black	Matte Red
	Neon Red	Neon Green	Orange Sparkle	Mellon Yellow	Gun Smoke Silver	Pigeon Blue
		Granny Sparkle Green	Sparkle Sky Blue	Vermilion	Reed Green	Blue Lilac
<b>Special Colors</b>	Polished Aluminum					
	24 karat Gold Plated					

**Please Choose the Color for each Part**

\*Parts not selected will be black color. (Suspension Spring: Silver Color)

\*Minimum 3 parts selected per order.

\*PC=Powder-Coated



**Total Section F \$**