

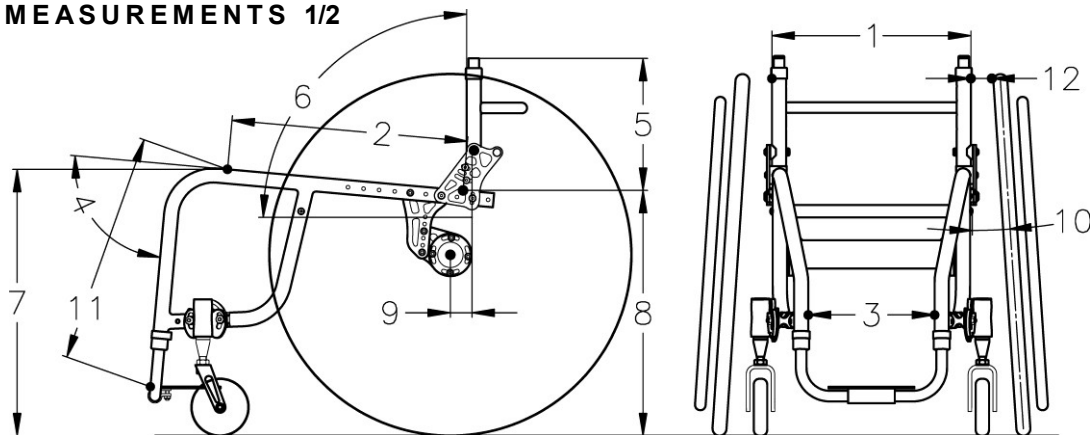
| DEALER | | COLOURS INFORMATION For Office Use Only | |
|----------------|--------|---|-----------|
| Dealer: | | Order Date: | S/N: |
| Account: | P.O.#: | RTS | |
| Ordered By: | | RTS: | Phone: |
| Address: | | Email: | |
| City: | State: | SHIP TO | |
| Phone: | Fax: | Name: | Ship Via: |
| Email: | | Address: | |
| Customer Name: | | City: | State: |
| Note | | Phone: | Fax: |

| CHAIR INFORMATION | PRICE |
|--|--|
| SPAZZ-K K0005 | Base Wheel Chair Price K0005 \$ 1,895 |
| Adjustable FSH-RSH | Total Section A \$ |
| Max. Capacity 250Lbs | Total Section B \$ |
| NOTE Spazz-K is the economical solution when you want to grow your Chair by changing the seat depth and width after ordering. | Total Section C \$ |
| | Total Section D \$ |
| | Total Section E \$ |
| | \$ |
| | ORDER GRAND TOTAL \$ |

A FRAME COLORS & PARTS COLORS

| FRAME COLORS | | |
|---|---|----------------------------|
| Powder-Coated | <input type="checkbox"/> Gloss Black <input type="checkbox"/> Twilight Flake <input type="checkbox"/> Yellow <input type="checkbox"/> Magenta <input type="checkbox"/> Fire Engine Red <input type="checkbox"/> White <input type="checkbox"/> Candy Blue <input type="checkbox"/> Candy Purple <input type="checkbox"/> Candy Green <input type="checkbox"/> Candy Red <input type="checkbox"/> Candy Raspberry <input type="checkbox"/> Cobalt Blue <input type="checkbox"/> Matte Gray <input type="checkbox"/> Matte Purple <input type="checkbox"/> Matte Blue <input type="checkbox"/> Matte Green <input type="checkbox"/> Matte Black <input type="checkbox"/> Matte Red <input type="checkbox"/> Neon Red <input type="checkbox"/> Neon Green <input type="checkbox"/> Orange Sparkle <input type="checkbox"/> Mellon Yellow <input type="checkbox"/> Gun Smoke Silver <input type="checkbox"/> Pigeon Blue <input type="checkbox"/> Copper <input type="checkbox"/> Granny Sparkle Green <input type="checkbox"/> Sparkle Sky Blue <input type="checkbox"/> Vermilion <input type="checkbox"/> Reed Green <input type="checkbox"/> Blue Lilac | \$ STD |
| Special Colors | <input type="checkbox"/> Polished Aluminum..... <input type="checkbox"/> 24 karat Gold Plated..... | \$ 800 \$ CFP |
| PARTS COLORS | | |
| STD Color | Black Color (*Suspension Springs-Silver Color Only)..... | \$ STD |
| Custom Color Main Bolt on Parts One Color Package | <input type="checkbox"/> Powder-Coated () <input type="checkbox"/> Polished Aluminum..... <input type="checkbox"/> 24 karat Gold Plated..... | \$ 500 \$ 750 \$ CFP |
| Including: Backrest, Foot Plate, Footrest Rings, Backrest Brackets, Saddle Stops, Forks & Knurl Nuts, Caps, Front Suspension Springs, Axle Tube, Axle Plates, Axle Bases, Camber Discs☆marked parts | | |
| | | |
| Total Section A | | \$ |

B FRAME MEASUREMENTS 1/2

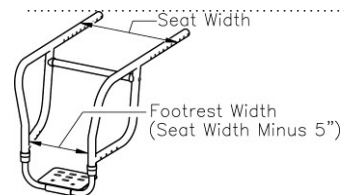


| | | |
|----------------------|---|--------|
| 1. SEAT WIDTH | <input type="checkbox"/> 14" <input type="checkbox"/> 15" <input type="checkbox"/> 16" <input type="checkbox"/> 17" <input type="checkbox"/> 18" | \$ STD |
| | <input type="checkbox"/> 19" <input type="checkbox"/> 20" | \$ 284 |

| | | | |
|----------------------|-------------------------|--|--------|
| 2. SEAT DEPTH | Depth Adj. Frame | <input type="checkbox"/> Short Frame (16" Depth) Set at <input type="checkbox"/> 13" <input type="checkbox"/> 14" <input type="checkbox"/> 15" <input type="checkbox"/> 16" | \$ STD |
| | | <input type="checkbox"/> Long Frame (19" Depth) Set at <input type="checkbox"/> 15" <input type="checkbox"/> 16" <input type="checkbox"/> 17" <input type="checkbox"/> 18" <input type="checkbox"/> 19" . | \$ STD |

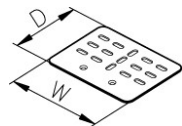
| | | |
|--------------------------|--|--------|
| 3. FOOTREST WIDTH | <input type="checkbox"/> STD (Seat Width Minus 5", Taper on Bottom Frame) | \$ STD |
|--------------------------|--|--------|

*No Custom Modifications



| | | | |
|-------------------------|---|--------------|--------|
| FOOT PLATE STYLE | <input type="checkbox"/> Standard single loop with adjust. height & angle. STD Foot Plate | K0040 | \$ 150 |
| | <input type="checkbox"/> Single Flip-Back-single loop (no riser avail) with adjust. height & angle. STD Foot Plate | K0040 | \$ 150 |

STD Foot Plate Size Chart

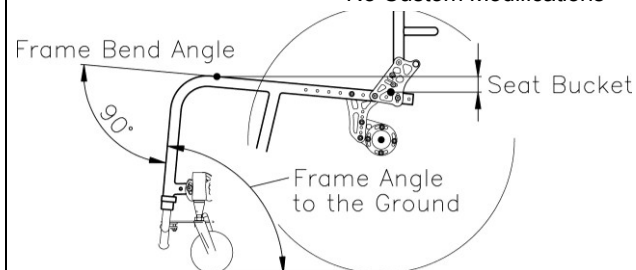


| Your Seat Width | Foot Plate Size |
|-----------------|----------------------|
| 14"-15" | STD (W6.5"xD5") |
| 16"-18" | Large (W8.5"xD6.5") |
| 19"-20" | X-Large (W11"xD6.5") |

*No Custom Modifications

| | | |
|----------------------------|---|--------|
| 4. FRAME BEND ANGLE | <input type="checkbox"/> 90° only | \$ STD |
|----------------------------|---|--------|

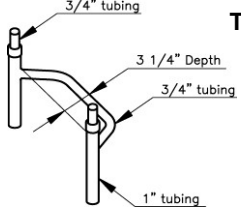
*No Custom Modifications



FRAME ANGLE to the Ground

| | | Your Seat Depth | | | | | | | |
|-------------|-----|-----------------|-----|-----|-----|-----|-----|-----|-----|
| | | 13" | 14" | 15" | 16" | 17" | 18" | 19" | 20" |
| Seat Bucket | 0" | 90° | 90° | 90° | 90° | 90° | 90° | 90° | 90° |
| | 1" | 86° | 86° | 86° | 86° | 87° | 87° | 87° | 87° |
| | 2" | 81° | 82° | 82° | 83° | 83° | 84° | 84° | 84° |
| | 3" | 77° | 78° | 78° | 79° | 80° | 80° | 81° | 81° |
| | 4" | 72° | 73° | 75° | 76° | 76° | 77° | 78° | 78° |
| 5" | 67° | 69° | 71° | 72° | 73° | 74° | 75° | 76° | |

B FRAME MEASUREMENTS 2/2

| 5. BACKREST HEIGHT <small>* Rigidizer bar 3.25" deep std.</small> | <input type="checkbox"/> 8" <input type="checkbox"/> 9" <input type="checkbox"/> 10" <input type="checkbox"/> 11" <input type="checkbox"/> 12" <input type="checkbox"/> 13" <input type="checkbox"/> 14" <input type="checkbox"/> 15" <input type="checkbox"/> 16" <input type="checkbox"/> 17" <input type="checkbox"/> 18" | <small>Adj. Range</small> <input type="checkbox"/> 13" <input type="checkbox"/> 14" <input type="checkbox"/> 15" <input type="checkbox"/> 16" <input type="checkbox"/> 17" <input type="checkbox"/> 18" | <small>Adj. Range</small> <input type="checkbox"/> 17" <input type="checkbox"/> 18" | \$ STD | | | | | | | | | | | | | | | | | | | | | | | | | | | | | | | | | | | | | | | | | | | | | | | | | | | | | | | | | | | | | | | | | | | | | | | | | | | | | | | | | | | | | | | | | | | | | | | | | | | | | | | | | | | | | | | |
|---|--|--|--|----------------------------|----------------------------|----------------------------|----------------------------|----------------------------|----------------------------|----------------------------|----------------------------|--------------|-------------|--------------|-------------|--------------|----------------|--------------|-------|-------|----------------------|-----------------------|--------------------------|--------------------------|--------------------------|--------------------------|--------------------------|-----|--------------------------|----------------------------|----------------------------|--------------------------|--------------------------|--------------------------|--------------------------|--|--|-----------------------|-----|--------------------------|----------------------------|----------------------------|----------------------------|----------------------------|--|-----------------------|--|--------------------------|--------------------------|--------------------------|--------------------------|--------------------------|--------------------------|--------------------------|----------------------------|----------------------------|--------------------------|--------------------------|--------------------------|--------------------------|-----|--------------------------|--------------------------|--------------------------|----------------------------|----------------------------|----------------------------|----------------------------|----------------------------|-----------------------|--|-----|----------------------------|--------------------------|--------------------------|--------------------------|----------------------------|--------------------------|--------------------------|----------------------------|----------------------------|----------------------------|----------------------------|----------------------------|----------------------------|--------------------------|--------------------------|--------------------------|--------------------------|----------------------------|----------------------------|----------------------------|----------------------------|-----|----------------------------|----------------------------|--------------------------|--------------------------|--------------------------|--------------------------|--------------------------|--------------------------|--------------------------|--------------------------|-----|----------------------------|----------------------------|--------------------------|--------------------------|--------------------------|--------------------------|--------------------------|--------------------------|--------------------------|--------------------------|
|  | Type <input type="checkbox"/> Folding with adjust. height & angle \$ STD <input type="checkbox"/> Locking mechan. with adjust. height & angle \$ STD <input type="checkbox"/> Double Locking mechan. with adjust. height & angle \$ 25 | | | | | | | | | | | | | | | | | | | | | | | | | | | | | | | | | | | | | | | | | | | | | | | | | | | | | | | | | | | | | | | | | | | | | | | | | | | | | | | | | | | | | | | | | | | | | | | | | | | | | | | | | | | | | | | | | | |
| | *No Custom Modifications | | | | | | | | | | | | | | | | | | | | | | | | | | | | | | | | | | | | | | | | | | | | | | | | | | | | | | | | | | | | | | | | | | | | | | | | | | | | | | | | | | | | | | | | | | | | | | | | | | | | | | | | | | | | | | | | | | |
| | | | | | | | | | | | | | | | | | | | | | | | | | | | | | | | | | | | | | | | | | | | | | | | | | | | | | | | | | | | | | | | | | | | | | | | | | | | | | | | | | | | | | | | | | | | | | | | | | | | | | | | | | | | | | | | | | | | |
| 6. BACKREST ANGLE | Set at (°) to the ground *STD 90° | | | \$ STD | | | | | | | | | | | | | | | | | | | | | | | | | | | | | | | | | | | | | | | | | | | | | | | | | | | | | | | | | | | | | | | | | | | | | | | | | | | | | | | | | | | | | | | | | | | | | | | | | | | | | | | | | | | | | | | |
| 7. FRONT SEAT HEIGHT | <input type="checkbox"/> 17.5" <input type="checkbox"/> 18.0" <input type="checkbox"/> 18.5" <input type="checkbox"/> 19.0" <input type="checkbox"/> 19.5" <input type="checkbox"/> 20.0" <input type="checkbox"/> 20.5" | | | \$ STD | | | | | | | | | | | | | | | | | | | | | | | | | | | | | | | | | | | | | | | | | | | | | | | | | | | | | | | | | | | | | | | | | | | | | | | | | | | | | | | | | | | | | | | | | | | | | | | | | | | | | | | | | | | | | | | |
| <small>The front seat heights are impacted by the size of your front caster.</small> | | | | | | | | | | | | | | | | | | | | | | | | | | | | | | | | | | | | | | | | | | | | | | | | | | | | | | | | | | | | | | | | | | | | | | | | | | | | | | | | | | | | | | | | | | | | | | | | | | | | | | | | | | | | | | | | | | | |
| STD Front Seat Height Ranges <small>*No Custom Modifications</small> | <table border="1" style="width:100%; border-collapse: collapse; text-align:center;"> <thead> <tr> <th colspan="2" rowspan="2"></th> <th colspan="7">Front Seat Height</th> </tr> <tr> <th>17.5"</th> <th>18.0"</th> <th>18.5"</th> <th>19.0"</th> <th>19.5"</th> <th>20.0"</th> <th>20.5"</th> </tr> </thead> <tbody> <tr> <td rowspan="9" style="writing-mode: vertical-rl; transform: rotate(180deg);">Your Casters & Forks</td> <td>3" Caster & STD Forks</td> <td><input type="checkbox"/></td><td><input type="checkbox"/></td><td><input type="checkbox"/></td><td><input type="checkbox"/></td><td><input type="checkbox"/></td><td></td><td></td> </tr> <tr> <td>3" Caster & Springs</td> <td></td><td><input type="checkbox"/></td><td><input type="checkbox"/></td><td><input type="checkbox"/></td><td><input type="checkbox"/></td><td></td><td></td> </tr> <tr> <td>3" Caster & Frog Legs</td> <td></td><td></td><td><input type="checkbox"/>*</td><td><input type="checkbox"/>*</td><td><input type="checkbox"/>*</td><td><input type="checkbox"/>*</td><td></td> </tr> <tr> <td>4" Caster & STD Forks</td> <td></td><td><input type="checkbox"/></td><td><input type="checkbox"/></td><td><input type="checkbox"/></td><td><input type="checkbox"/></td><td><input type="checkbox"/></td><td></td> </tr> <tr> <td>4" Caster & Springs</td> <td></td><td><input type="checkbox"/></td><td><input type="checkbox"/></td><td><input type="checkbox"/></td><td><input type="checkbox"/></td><td><input type="checkbox"/></td><td></td> </tr> <tr> <td>4" Caster & Frog Legs</td> <td></td><td></td><td><input type="checkbox"/>*</td><td><input type="checkbox"/>*</td><td><input type="checkbox"/>*</td><td><input type="checkbox"/>*</td><td><input type="checkbox"/>*</td> </tr> <tr> <td>5" Caster & STD Forks</td> <td></td><td></td><td><input type="checkbox"/>*</td><td><input type="checkbox"/></td><td><input type="checkbox"/></td><td><input type="checkbox"/></td><td><input type="checkbox"/>*</td> </tr> <tr> <td>5" Caster & Springs</td> <td></td><td></td><td></td><td><input type="checkbox"/>*</td><td><input type="checkbox"/>*</td><td><input type="checkbox"/>*</td><td><input type="checkbox"/>*</td> </tr> <tr> <td>5" Caster & Frog Legs</td> <td></td><td></td><td></td><td><input type="checkbox"/>*</td><td><input type="checkbox"/>*</td><td><input type="checkbox"/>*</td><td><input type="checkbox"/>*</td> </tr> </tbody> </table> | | | | | | Front Seat Height | | | | | | | 17.5" | 18.0" | 18.5" | 19.0" | 19.5" | 20.0" | 20.5" | Your Casters & Forks | 3" Caster & STD Forks | <input type="checkbox"/> | <input type="checkbox"/> | <input type="checkbox"/> | <input type="checkbox"/> | <input type="checkbox"/> | | | 3" Caster & Springs | | <input type="checkbox"/> | <input type="checkbox"/> | <input type="checkbox"/> | <input type="checkbox"/> | | | 3" Caster & Frog Legs | | | <input type="checkbox"/> * | <input type="checkbox"/> * | <input type="checkbox"/> * | <input type="checkbox"/> * | | 4" Caster & STD Forks | | <input type="checkbox"/> | <input type="checkbox"/> | <input type="checkbox"/> | <input type="checkbox"/> | <input type="checkbox"/> | | 4" Caster & Springs | | <input type="checkbox"/> | <input type="checkbox"/> | <input type="checkbox"/> | <input type="checkbox"/> | <input type="checkbox"/> | | 4" Caster & Frog Legs | | | <input type="checkbox"/> * | <input type="checkbox"/> * | <input type="checkbox"/> * | <input type="checkbox"/> * | <input type="checkbox"/> * | 5" Caster & STD Forks | | | <input type="checkbox"/> * | <input type="checkbox"/> | <input type="checkbox"/> | <input type="checkbox"/> | <input type="checkbox"/> * | 5" Caster & Springs | | | | <input type="checkbox"/> * | <input type="checkbox"/> * | <input type="checkbox"/> * | <input type="checkbox"/> * | 5" Caster & Frog Legs | | | | <input type="checkbox"/> * | <input type="checkbox"/> * | <input type="checkbox"/> * | <input type="checkbox"/> * | | | | | | | | | | | | | | | | | | | | | | |
| | | Front Seat Height | | | | | | | | | | | | | | | | | | | | | | | | | | | | | | | | | | | | | | | | | | | | | | | | | | | | | | | | | | | | | | | | | | | | | | | | | | | | | | | | | | | | | | | | | | | | | | | | | | | | | | | | | | | | | | | | | |
| | | 17.5" | 18.0" | 18.5" | 19.0" | 19.5" | 20.0" | 20.5" | | | | | | | | | | | | | | | | | | | | | | | | | | | | | | | | | | | | | | | | | | | | | | | | | | | | | | | | | | | | | | | | | | | | | | | | | | | | | | | | | | | | | | | | | | | | | | | | | | | | | | | | | | | |
| Your Casters & Forks | 3" Caster & STD Forks | <input type="checkbox"/> | <input type="checkbox"/> | <input type="checkbox"/> | <input type="checkbox"/> | <input type="checkbox"/> | | | | | | | | | | | | | | | | | | | | | | | | | | | | | | | | | | | | | | | | | | | | | | | | | | | | | | | | | | | | | | | | | | | | | | | | | | | | | | | | | | | | | | | | | | | | | | | | | | | | | | | | | | | | | |
| | 3" Caster & Springs | | <input type="checkbox"/> | <input type="checkbox"/> | <input type="checkbox"/> | <input type="checkbox"/> | | | | | | | | | | | | | | | | | | | | | | | | | | | | | | | | | | | | | | | | | | | | | | | | | | | | | | | | | | | | | | | | | | | | | | | | | | | | | | | | | | | | | | | | | | | | | | | | | | | | | | | | | | | | | |
| | 3" Caster & Frog Legs | | | <input type="checkbox"/> * | <input type="checkbox"/> * | <input type="checkbox"/> * | <input type="checkbox"/> * | | | | | | | | | | | | | | | | | | | | | | | | | | | | | | | | | | | | | | | | | | | | | | | | | | | | | | | | | | | | | | | | | | | | | | | | | | | | | | | | | | | | | | | | | | | | | | | | | | | | | | | | | | | | |
| | 4" Caster & STD Forks | | <input type="checkbox"/> | <input type="checkbox"/> | <input type="checkbox"/> | <input type="checkbox"/> | <input type="checkbox"/> | | | | | | | | | | | | | | | | | | | | | | | | | | | | | | | | | | | | | | | | | | | | | | | | | | | | | | | | | | | | | | | | | | | | | | | | | | | | | | | | | | | | | | | | | | | | | | | | | | | | | | | | | | | | |
| | 4" Caster & Springs | | <input type="checkbox"/> | <input type="checkbox"/> | <input type="checkbox"/> | <input type="checkbox"/> | <input type="checkbox"/> | | | | | | | | | | | | | | | | | | | | | | | | | | | | | | | | | | | | | | | | | | | | | | | | | | | | | | | | | | | | | | | | | | | | | | | | | | | | | | | | | | | | | | | | | | | | | | | | | | | | | | | | | | | | |
| | 4" Caster & Frog Legs | | | <input type="checkbox"/> * | <input type="checkbox"/> * | <input type="checkbox"/> * | <input type="checkbox"/> * | <input type="checkbox"/> * | | | | | | | | | | | | | | | | | | | | | | | | | | | | | | | | | | | | | | | | | | | | | | | | | | | | | | | | | | | | | | | | | | | | | | | | | | | | | | | | | | | | | | | | | | | | | | | | | | | | | | | | | | | |
| | 5" Caster & STD Forks | | | <input type="checkbox"/> * | <input type="checkbox"/> | <input type="checkbox"/> | <input type="checkbox"/> | <input type="checkbox"/> * | | | | | | | | | | | | | | | | | | | | | | | | | | | | | | | | | | | | | | | | | | | | | | | | | | | | | | | | | | | | | | | | | | | | | | | | | | | | | | | | | | | | | | | | | | | | | | | | | | | | | | | | | | | |
| | 5" Caster & Springs | | | | <input type="checkbox"/> * | <input type="checkbox"/> * | <input type="checkbox"/> * | <input type="checkbox"/> * | | | | | | | | | | | | | | | | | | | | | | | | | | | | | | | | | | | | | | | | | | | | | | | | | | | | | | | | | | | | | | | | | | | | | | | | | | | | | | | | | | | | | | | | | | | | | | | | | | | | | | | | | | | |
| | 5" Caster & Frog Legs | | | | <input type="checkbox"/> * | <input type="checkbox"/> * | <input type="checkbox"/> * | <input type="checkbox"/> * | | | | | | | | | | | | | | | | | | | | | | | | | | | | | | | | | | | | | | | | | | | | | | | | | | | | | | | | | | | | | | | | | | | | | | | | | | | | | | | | | | | | | | | | | | | | | | | | | | | | | | | | | | | |
| <small>*=Not Available with Quick Release Caster Axle.</small> | | | | | | | | | | | | | | | | | | | | | | | | | | | | | | | | | | | | | | | | | | | | | | | | | | | | | | | | | | | | | | | | | | | | | | | | | | | | | | | | | | | | | | | | | | | | | | | | | | | | | | | | | | | | | | | | | | | |
| 8. REAR SEAT HEIGHT | <input type="checkbox"/> 14.5" <input type="checkbox"/> 15.0" <input type="checkbox"/> 15.5" <input type="checkbox"/> 16.0" <input type="checkbox"/> 16.5" <input type="checkbox"/> 17.0" <input type="checkbox"/> 17.5" <input type="checkbox"/> 18.0" <input type="checkbox"/> 18.5" <input type="checkbox"/> 19.0" | | | \$ STD | | | | | | | | | | | | | | | | | | | | | | | | | | | | | | | | | | | | | | | | | | | | | | | | | | | | | | | | | | | | | | | | | | | | | | | | | | | | | | | | | | | | | | | | | | | | | | | | | | | | | | | | | | | | | | | |
| STD Rear Seat Height Ranges <small>*No Custom Modifications</small> | <table border="1" style="width:100%; border-collapse: collapse; text-align:center;"> <thead> <tr> <th>Rear Tire Size</th> <th>Rear Seat Height</th> </tr> </thead> <tbody> <tr> <td>24"x1"(540)</td> <td>14.5"- 18.0"</td> </tr> <tr> <td>24"x1 3/8"(540)</td> <td>15.0"- 18.0"</td> </tr> <tr> <td>25"x1"(559)</td> <td>15.5"- 18.0"</td> </tr> <tr> <td>24"x2"(540)</td> <td>15.5"- 18.5"</td> </tr> <tr> <td>26"x1"(590)</td> <td>15.5"- 19.0"</td> </tr> <tr> <td>25"x1.95"(559)</td> <td>16.0"- 19.0"</td> </tr> </tbody> </table> | | | | Rear Tire Size | Rear Seat Height | 24"x1"(540) | 14.5"- 18.0" | 24"x1 3/8"(540) | 15.0"- 18.0" | 25"x1"(559) | 15.5"- 18.0" | 24"x2"(540) | 15.5"- 18.5" | 26"x1"(590) | 15.5"- 19.0" | 25"x1.95"(559) | 16.0"- 19.0" | | | | | | | | | | | | | | | | | | | | | | | | | | | | | | | | | | | | | | | | | | | | | | | | | | | | | | | | | | | | | | | | | | | | | | | | | | | | | | | | | | | | | | | | | | | | | | | | | |
| Rear Tire Size | Rear Seat Height | | | | | | | | | | | | | | | | | | | | | | | | | | | | | | | | | | | | | | | | | | | | | | | | | | | | | | | | | | | | | | | | | | | | | | | | | | | | | | | | | | | | | | | | | | | | | | | | | | | | | | | | | | | | | | | | | | |
| 24"x1"(540) | 14.5"- 18.0" | | | | | | | | | | | | | | | | | | | | | | | | | | | | | | | | | | | | | | | | | | | | | | | | | | | | | | | | | | | | | | | | | | | | | | | | | | | | | | | | | | | | | | | | | | | | | | | | | | | | | | | | | | | | | | | | | | |
| 24"x1 3/8"(540) | 15.0"- 18.0" | | | | | | | | | | | | | | | | | | | | | | | | | | | | | | | | | | | | | | | | | | | | | | | | | | | | | | | | | | | | | | | | | | | | | | | | | | | | | | | | | | | | | | | | | | | | | | | | | | | | | | | | | | | | | | | | | | |
| 25"x1"(559) | 15.5"- 18.0" | | | | | | | | | | | | | | | | | | | | | | | | | | | | | | | | | | | | | | | | | | | | | | | | | | | | | | | | | | | | | | | | | | | | | | | | | | | | | | | | | | | | | | | | | | | | | | | | | | | | | | | | | | | | | | | | | | |
| 24"x2"(540) | 15.5"- 18.5" | | | | | | | | | | | | | | | | | | | | | | | | | | | | | | | | | | | | | | | | | | | | | | | | | | | | | | | | | | | | | | | | | | | | | | | | | | | | | | | | | | | | | | | | | | | | | | | | | | | | | | | | | | | | | | | | | | |
| 26"x1"(590) | 15.5"- 19.0" | | | | | | | | | | | | | | | | | | | | | | | | | | | | | | | | | | | | | | | | | | | | | | | | | | | | | | | | | | | | | | | | | | | | | | | | | | | | | | | | | | | | | | | | | | | | | | | | | | | | | | | | | | | | | | | | | | |
| 25"x1.95"(559) | 16.0"- 19.0" | | | | | | | | | | | | | | | | | | | | | | | | | | | | | | | | | | | | | | | | | | | | | | | | | | | | | | | | | | | | | | | | | | | | | | | | | | | | | | | | | | | | | | | | | | | | | | | | | | | | | | | | | | | | | | | | | | |
| 9. CENTER OF GRAVITY | <input type="checkbox"/> 1.0" <input type="checkbox"/> 1.5" <input type="checkbox"/> 2.0" <input type="checkbox"/> 2.5" <input type="checkbox"/> 3.0" <input type="checkbox"/> 3.5" <input type="checkbox"/> 4.0" <input type="checkbox"/> 4.5" <input type="checkbox"/> 5.0" <input type="checkbox"/> 5.5" | | | \$ STD | | | | | | | | | | | | | | | | | | | | | | | | | | | | | | | | | | | | | | | | | | | | | | | | | | | | | | | | | | | | | | | | | | | | | | | | | | | | | | | | | | | | | | | | | | | | | | | | | | | | | | | | | | | | | | | |
| Center of Gravity Ranges <small>☆=Not Available Scissor Wheel Lock. ★Excludes 24" x 2", 26" x 1", 25" x 1.95" tires are selected.</small> | <table border="1" style="width:100%; border-collapse: collapse; text-align:center;"> <thead> <tr> <th colspan="2" rowspan="2"></th> <th colspan="10">Your Center of Gravity</th> </tr> <tr> <th>1.0"</th> <th>1.5"</th> <th>2.0"</th> <th>2.5"</th> <th>3.0"</th> <th>3.5"</th> <th>4.0"</th> <th>4.5"</th> <th>5.0"</th> <th>5.5"</th> </tr> </thead> <tbody> <tr> <td rowspan="8" style="writing-mode: vertical-rl; transform: rotate(180deg);">Your Seat Depth</td> <td>13"</td> <td><input type="checkbox"/></td><td><input type="checkbox"/>★</td><td><input type="checkbox"/>★</td><td></td><td></td><td></td><td></td><td></td><td></td><td></td> </tr> <tr> <td>14"</td> <td><input type="checkbox"/></td><td><input type="checkbox"/></td><td><input type="checkbox"/>★</td><td><input type="checkbox"/>★</td><td></td><td></td><td></td><td></td><td></td><td></td> </tr> <tr> <td>15"</td> <td><input type="checkbox"/></td><td><input type="checkbox"/></td><td><input type="checkbox"/></td><td><input type="checkbox"/></td><td><input type="checkbox"/>★</td><td><input type="checkbox"/>★</td><td></td><td></td><td></td><td></td> </tr> <tr> <td>16"</td> <td><input type="checkbox"/></td><td><input type="checkbox"/></td><td><input type="checkbox"/></td><td><input type="checkbox"/></td><td><input type="checkbox"/></td><td><input type="checkbox"/>★</td><td><input type="checkbox"/>★</td><td></td><td></td><td></td> </tr> <tr> <td>17"</td> <td><input type="checkbox"/>☆</td><td><input type="checkbox"/></td><td><input type="checkbox"/></td><td><input type="checkbox"/></td><td><input type="checkbox"/></td><td><input type="checkbox"/></td><td><input type="checkbox"/></td><td><input type="checkbox"/>★</td><td><input type="checkbox"/>★</td><td></td> </tr> <tr> <td>18"</td> <td><input type="checkbox"/>☆</td><td><input type="checkbox"/></td><td><input type="checkbox"/></td><td><input type="checkbox"/></td><td><input type="checkbox"/></td><td><input type="checkbox"/></td><td><input type="checkbox"/></td><td><input type="checkbox"/></td><td><input type="checkbox"/></td><td><input type="checkbox"/>★</td> </tr> <tr> <td>19"</td> <td><input type="checkbox"/>☆</td><td><input type="checkbox"/>☆</td><td><input type="checkbox"/></td><td><input type="checkbox"/></td><td><input type="checkbox"/></td><td><input type="checkbox"/></td><td><input type="checkbox"/></td><td><input type="checkbox"/></td><td><input type="checkbox"/></td><td><input type="checkbox"/></td> </tr> <tr> <td>20"</td> <td><input type="checkbox"/>☆</td><td><input type="checkbox"/>☆</td><td><input type="checkbox"/></td><td><input type="checkbox"/></td><td><input type="checkbox"/></td><td><input type="checkbox"/></td><td><input type="checkbox"/></td><td><input type="checkbox"/></td><td><input type="checkbox"/></td><td><input type="checkbox"/></td> </tr> </tbody> </table> | | | | | | Your Center of Gravity | | | | | | | | | | 1.0" | 1.5" | 2.0" | 2.5" | 3.0" | 3.5" | 4.0" | 4.5" | 5.0" | 5.5" | Your Seat Depth | 13" | <input type="checkbox"/> | <input type="checkbox"/> ★ | <input type="checkbox"/> ★ | | | | | | | | 14" | <input type="checkbox"/> | <input type="checkbox"/> | <input type="checkbox"/> ★ | <input type="checkbox"/> ★ | | | | | | | 15" | <input type="checkbox"/> | <input type="checkbox"/> | <input type="checkbox"/> | <input type="checkbox"/> | <input type="checkbox"/> ★ | <input type="checkbox"/> ★ | | | | | 16" | <input type="checkbox"/> | <input type="checkbox"/> | <input type="checkbox"/> | <input type="checkbox"/> | <input type="checkbox"/> | <input type="checkbox"/> ★ | <input type="checkbox"/> ★ | | | | 17" | <input type="checkbox"/> ☆ | <input type="checkbox"/> | <input type="checkbox"/> | <input type="checkbox"/> | <input type="checkbox"/> | <input type="checkbox"/> | <input type="checkbox"/> | <input type="checkbox"/> ★ | <input type="checkbox"/> ★ | | 18" | <input type="checkbox"/> ☆ | <input type="checkbox"/> | <input type="checkbox"/> | <input type="checkbox"/> | <input type="checkbox"/> | <input type="checkbox"/> | <input type="checkbox"/> | <input type="checkbox"/> | <input type="checkbox"/> | <input type="checkbox"/> ★ | 19" | <input type="checkbox"/> ☆ | <input type="checkbox"/> ☆ | <input type="checkbox"/> | <input type="checkbox"/> | <input type="checkbox"/> | <input type="checkbox"/> | <input type="checkbox"/> | <input type="checkbox"/> | <input type="checkbox"/> | <input type="checkbox"/> | 20" | <input type="checkbox"/> ☆ | <input type="checkbox"/> ☆ | <input type="checkbox"/> | <input type="checkbox"/> | <input type="checkbox"/> | <input type="checkbox"/> | <input type="checkbox"/> | <input type="checkbox"/> | <input type="checkbox"/> | <input type="checkbox"/> |
| | | Your Center of Gravity | | | | | | | | | | | | | | | | | | | | | | | | | | | | | | | | | | | | | | | | | | | | | | | | | | | | | | | | | | | | | | | | | | | | | | | | | | | | | | | | | | | | | | | | | | | | | | | | | | | | | | | | | | | | | | | | | |
| | | 1.0" | 1.5" | 2.0" | 2.5" | 3.0" | 3.5" | 4.0" | 4.5" | 5.0" | 5.5" | | | | | | | | | | | | | | | | | | | | | | | | | | | | | | | | | | | | | | | | | | | | | | | | | | | | | | | | | | | | | | | | | | | | | | | | | | | | | | | | | | | | | | | | | | | | | | | | | | | | | | | | |
| Your Seat Depth | 13" | <input type="checkbox"/> | <input type="checkbox"/> ★ | <input type="checkbox"/> ★ | | | | | | | | | | | | | | | | | | | | | | | | | | | | | | | | | | | | | | | | | | | | | | | | | | | | | | | | | | | | | | | | | | | | | | | | | | | | | | | | | | | | | | | | | | | | | | | | | | | | | | | | | | | | | | | |
| | 14" | <input type="checkbox"/> | <input type="checkbox"/> | <input type="checkbox"/> ★ | <input type="checkbox"/> ★ | | | | | | | | | | | | | | | | | | | | | | | | | | | | | | | | | | | | | | | | | | | | | | | | | | | | | | | | | | | | | | | | | | | | | | | | | | | | | | | | | | | | | | | | | | | | | | | | | | | | | | | | | | | | | | |
| | 15" | <input type="checkbox"/> | <input type="checkbox"/> | <input type="checkbox"/> | <input type="checkbox"/> | <input type="checkbox"/> ★ | <input type="checkbox"/> ★ | | | | | | | | | | | | | | | | | | | | | | | | | | | | | | | | | | | | | | | | | | | | | | | | | | | | | | | | | | | | | | | | | | | | | | | | | | | | | | | | | | | | | | | | | | | | | | | | | | | | | | | | | | | | |
| | 16" | <input type="checkbox"/> | <input type="checkbox"/> | <input type="checkbox"/> | <input type="checkbox"/> | <input type="checkbox"/> | <input type="checkbox"/> ★ | <input type="checkbox"/> ★ | | | | | | | | | | | | | | | | | | | | | | | | | | | | | | | | | | | | | | | | | | | | | | | | | | | | | | | | | | | | | | | | | | | | | | | | | | | | | | | | | | | | | | | | | | | | | | | | | | | | | | | | | | | |
| | 17" | <input type="checkbox"/> ☆ | <input type="checkbox"/> | <input type="checkbox"/> | <input type="checkbox"/> | <input type="checkbox"/> | <input type="checkbox"/> | <input type="checkbox"/> | <input type="checkbox"/> ★ | <input type="checkbox"/> ★ | | | | | | | | | | | | | | | | | | | | | | | | | | | | | | | | | | | | | | | | | | | | | | | | | | | | | | | | | | | | | | | | | | | | | | | | | | | | | | | | | | | | | | | | | | | | | | | | | | | | | | | | | |
| | 18" | <input type="checkbox"/> ☆ | <input type="checkbox"/> | <input type="checkbox"/> | <input type="checkbox"/> | <input type="checkbox"/> | <input type="checkbox"/> | <input type="checkbox"/> | <input type="checkbox"/> | <input type="checkbox"/> | <input type="checkbox"/> ★ | | | | | | | | | | | | | | | | | | | | | | | | | | | | | | | | | | | | | | | | | | | | | | | | | | | | | | | | | | | | | | | | | | | | | | | | | | | | | | | | | | | | | | | | | | | | | | | | | | | | | | | | |
| | 19" | <input type="checkbox"/> ☆ | <input type="checkbox"/> ☆ | <input type="checkbox"/> | <input type="checkbox"/> | <input type="checkbox"/> | <input type="checkbox"/> | <input type="checkbox"/> | <input type="checkbox"/> | <input type="checkbox"/> | <input type="checkbox"/> | | | | | | | | | | | | | | | | | | | | | | | | | | | | | | | | | | | | | | | | | | | | | | | | | | | | | | | | | | | | | | | | | | | | | | | | | | | | | | | | | | | | | | | | | | | | | | | | | | | | | | | | |
| | 20" | <input type="checkbox"/> ☆ | <input type="checkbox"/> ☆ | <input type="checkbox"/> | <input type="checkbox"/> | <input type="checkbox"/> | <input type="checkbox"/> | <input type="checkbox"/> | <input type="checkbox"/> | <input type="checkbox"/> | <input type="checkbox"/> | | | | | | | | | | | | | | | | | | | | | | | | | | | | | | | | | | | | | | | | | | | | | | | | | | | | | | | | | | | | | | | | | | | | | | | | | | | | | | | | | | | | | | | | | | | | | | | | | | | | | | | | |
| 10. CAMBER ANGLE | <input type="checkbox"/> 2° <input type="checkbox"/> 4° <input type="checkbox"/> 6° | | | \$ STD | | | | | | | | | | | | | | | | | | | | | | | | | | | | | | | | | | | | | | | | | | | | | | | | | | | | | | | | | | | | | | | | | | | | | | | | | | | | | | | | | | | | | | | | | | | | | | | | | | | | | | | | | | | | | | | |
| 11. FRONT OF SEAT SLING TO FRONT OF FOOTREST | <input type="checkbox"/> 15.0" <input type="checkbox"/> 15.5" <input type="checkbox"/> 16.0" <input type="checkbox"/> 16.5" <input type="checkbox"/> 17.0" <input type="checkbox"/> 17.5" <input type="checkbox"/> 18.0" <input type="checkbox"/> 18.5" <input type="checkbox"/> 19.0" <input type="checkbox"/> 19.5" | | | \$ STD | | | | | | | | | | | | | | | | | | | | | | | | | | | | | | | | | | | | | | | | | | | | | | | | | | | | | | | | | | | | | | | | | | | | | | | | | | | | | | | | | | | | | | | | | | | | | | | | | | | | | | | | | | | | | | | |
| <small>*Measurement must be 1.5" shorter than your Front Seat Height</small> | | | | | | | | | | | | | | | | | | | | | | | | | | | | | | | | | | | | | | | | | | | | | | | | | | | | | | | | | | | | | | | | | | | | | | | | | | | | | | | | | | | | | | | | | | | | | | | | | | | | | | | | | | | | | | | | | | | |
| HIGH MOUNT <small>With Risers or Clamps</small> | <input type="checkbox"/> 10.0" <input type="checkbox"/> 10.5" <input type="checkbox"/> 11.0" <input type="checkbox"/> 11.5" <input type="checkbox"/> 12.0" <input type="checkbox"/> 12.5" <input type="checkbox"/> 13.0" <input type="checkbox"/> 13.5" <input type="checkbox"/> 14.0" <input type="checkbox"/> 14.5" | | | \$ 65 | | | | | | | | | | | | | | | | | | | | | | | | | | | | | | | | | | | | | | | | | | | | | | | | | | | | | | | | | | | | | | | | | | | | | | | | | | | | | | | | | | | | | | | | | | | | | | | | | | | | | | | | | | | | | | | |
| <small>*Not Available with Single Flip-Back Foot Plate</small> | | | | | | | | | | | | | | | | | | | | | | | | | | | | | | | | | | | | | | | | | | | | | | | | | | | | | | | | | | | | | | | | | | | | | | | | | | | | | | | | | | | | | | | | | | | | | | | | | | | | | | | | | | | | | | | | | | | |
| 12. INSIDE WHEEL CLEARANCE | <input type="checkbox"/> 3/4" * <input type="checkbox"/> 1" <input type="checkbox"/> 1 1/4" <input type="checkbox"/> 1 1/2" <input type="checkbox"/> 1 3/4" <input type="checkbox"/> 2" | | | \$ STD | | | | | | | | | | | | | | | | | | | | | | | | | | | | | | | | | | | | | | | | | | | | | | | | | | | | | | | | | | | | | | | | | | | | | | | | | | | | | | | | | | | | | | | | | | | | | | | | | | | | | | | | | | | | | | | |
| <small>*3/4" Inside wheel clearance not available with 2 degree camber. (with the exception of Y-360 wheels) *3/4" Inside wheel clearance not available with Armrest *3/4" Inside wheel clearance not available with Bite Hub Locked *3/4" Inside wheel clearance not available with D's Locks</small> | | | | | | | | | | | | | | | | | | | | | | | | | | | | | | | | | | | | | | | | | | | | | | | | | | | | | | | | | | | | | | | | | | | | | | | | | | | | | | | | | | | | | | | | | | | | | | | | | | | | | | | | | | | | | | | | | | | |
| NOTE | | | | | | | | | | | | | | | | | | | | | | | | | | | | | | | | | | | | | | | | | | | | | | | | | | | | | | | | | | | | | | | | | | | | | | | | | | | | | | | | | | | | | | | | | | | | | | | | | | | | | | | | | | | | | | | | | | | |
| Sub Total Section B 1/2 | | | | \$ | | | | | | | | | | | | | | | | | | | | | | | | | | | | | | | | | | | | | | | | | | | | | | | | | | | | | | | | | | | | | | | | | | | | | | | | | | | | | | | | | | | | | | | | | | | | | | | | | | | | | | | | | | | | | | | |
| Sub Total Section B 2/2 | | | | \$ | | | | | | | | | | | | | | | | | | | | | | | | | | | | | | | | | | | | | | | | | | | | | | | | | | | | | | | | | | | | | | | | | | | | | | | | | | | | | | | | | | | | | | | | | | | | | | | | | | | | | | | | | | | | | | | |
| Total Section B | | | | \$ | | | | | | | | | | | | | | | | | | | | | | | | | | | | | | | | | | | | | | | | | | | | | | | | | | | | | | | | | | | | | | | | | | | | | | | | | | | | | | | | | | | | | | | | | | | | | | | | | | | | | | | | | | | | | | | |

C WHEELS, TIRES & CASTERS, FORKS 1/2

| WHEELS | | | |
|---|--|---|------------------|
| Standard Radial Spoke Wheel | | <input type="checkbox"/> 24" (540) Only | \$ STD |
| Heat-Treated Wheel | | <input type="checkbox"/> 24" (540) <input type="checkbox"/> 25" (559) <input type="checkbox"/> 26" (590) | \$ 252 |
| Cross Knot Laced Spokes <small>*Not available with D's Lock</small> | | <input type="checkbox"/> 24" (540) <input type="checkbox"/> 25" (559) <input type="checkbox"/> 26" (590) | \$ 211 |
| Twister Super Strength wheel <small>*Not available with D's Lock</small> | | <input type="checkbox"/> 24" (540) <input type="checkbox"/> 25" (559) <input type="checkbox"/> 26" (590) | \$ 310 |
| Bite Hub Locked Wheels | | <input type="checkbox"/> 24" (540) <input type="checkbox"/> 25" (559) | \$ 799 |
| Y-360 Billet Wheels <small>(*Camber 0- 2" max) *Not available with D's Lock</small> | | <input type="checkbox"/> 24" (540) <input type="checkbox"/> 25" (559) Style <input type="checkbox"/> Saw Blade <input type="checkbox"/> Hearts(25"only) <input type="checkbox"/> T-Style(25"only) | \$ 999 |
| Y-360 Billet Wheels MOD Style <small>(*Camber 0- 2" max) *Not available with D's Lock</small> | | <input type="checkbox"/> 25" (559) Only Style <input type="checkbox"/> Tribal Sun <input type="checkbox"/> Girls <input type="checkbox"/> Eagle <input type="checkbox"/> Holy Cross <input type="checkbox"/> Hono Specify Powder Coat Color for Insert Only () *Choose from Frame Colors | \$ 1,499 |
| Extra Options for Y-360 | | <input type="checkbox"/> Bite Hub Locked (\$600 up charge) <input type="checkbox"/> Spinners Clover (\$650 up charge) <input type="checkbox"/> Powder-Coated Spokes Only () (\$150 up charge) <small>*Choose from Frame Colors</small> | |
| X-Core (3 Spokes comp) <small>(*Camber 0- 2" max) *Not available with D's Lock</small> | | <input type="checkbox"/> 25" (559) Only Wheel Color <input type="checkbox"/> Black <input type="checkbox"/> Yellow <input type="checkbox"/> Blue <input type="checkbox"/> Red <input type="checkbox"/> White | \$ 743 \$ 943 |
| Spinergy Spox 18 Spokes | <input type="checkbox"/> 24" (540) <input type="checkbox"/> 25" (559) <input type="checkbox"/> 26" (590) Spoke Color <input type="checkbox"/> Black <input type="checkbox"/> Red <input type="checkbox"/> Yellow <input type="checkbox"/> Blue <input type="checkbox"/> White <small>With Silver Hub With Black Hub With Black Hub With Black Hub With Black Hub</small> | | \$ 695 |
| | <input type="checkbox"/> Custom Color Spoke Pattern | Left Wheel Right Wheel | |
| | Spokes Color Inside Outside Hub Color <input type="checkbox"/> Black/ <input type="checkbox"/> Silver <input type="checkbox"/> Black/ <input type="checkbox"/> Silver | | \$ 795 |
| Spinergy LX 12 Spokes | <input type="checkbox"/> 24" (540) <input type="checkbox"/> 25" (559) <input type="checkbox"/> 26" (590) Spoke Color <input type="checkbox"/> Black <input type="checkbox"/> Red <input type="checkbox"/> Yellow <input type="checkbox"/> Blue <small>With Silver Hub With Black Hub With Black Hub With Black Hub</small> <input type="checkbox"/> White <input type="checkbox"/> Neon Green <input type="checkbox"/> Pink <input type="checkbox"/> Orange <small>With Black Hub With Black Hub With Black Hub With Black Hub</small> | | \$ 895 |
| | <input type="checkbox"/> Custom Color Spoke Pattern | Left Wheel Right Wheel | |
| | Spokes Color Inside Outside Hub Color <input type="checkbox"/> Black/ <input type="checkbox"/> Silver <input type="checkbox"/> Black/ <input type="checkbox"/> Silver | | \$ 995 |
| Topolino Cabon Core WX2.5 Wheels Black Spokes Only <input type="checkbox"/> 24" (540) <input type="checkbox"/> 25" (559) *Max. Capacity 250Lbs <small>w/ Aluminum Gray Anodized Handrim *Not available with D's Lock</small> Nipples Color <input type="checkbox"/> Red <input type="checkbox"/> Yellow | | | \$ 1,095 |
| Pro Wheels <input type="checkbox"/> 24" (540) <input type="checkbox"/> 25" (559) <small>w/ Aluminum Color Anodized Handrim *Not available with D's Lock</small> Spoke & Handrim Color <input type="checkbox"/> Anodized Black <input type="checkbox"/> Anodized Red <input type="checkbox"/> Anodized Blue | | | \$ 825 |
| HANDRIMS | | | |
| Type | <input type="checkbox"/> Standard For 24", 25" or 26" Wheel Anodized Black <small>*Not available with Topolino Wheels, Pro Wheels</small> | | \$ STD |
| | <input type="checkbox"/> Vinyl Coated For 24", 25", 26" Wheel <small>*Not available with Topolino Wheels, Pro Wheels</small> | | \$ 142 |
| | <input type="checkbox"/> Ultra Grip For 24", 25", 26" Wheel <small>*Not available with Y-360 Billet Wheels, X-Core, Topolino Wheels, Pro Wheels</small> | | \$ 395 |
| | <input type="checkbox"/> Grip-It For 24", 25", 26" Wheel <small>*Not available with Topolino Wheels, Pro Wheels</small> | | \$ 295 |
| | <input type="checkbox"/> Spinergy Flex Rim Available only on 24" and 25" Spinergy LX. | | \$ 495 |
| | <input type="checkbox"/> Projections Handrims <small>*Not available with Y-360 Billet Wheels, X-Core, Topolino Wheels, Pro Wheels</small> E0967 Wheel Size: <input type="checkbox"/> 24" <input type="checkbox"/> 25" Projections Angle: <input type="checkbox"/> Vertical <input type="checkbox"/> 15° <input type="checkbox"/> 45° Number of Projections: <input type="checkbox"/> 8 <input type="checkbox"/> 12 / Height of Pegs: <input type="checkbox"/> 3/4" <input type="checkbox"/> 1" <input type="checkbox"/> 1 1/2" | | \$ 240 |
| TAB LENGTH <input type="checkbox"/> Long Tabs (STD inside clearance 3/4") | | | \$ STD |
| <input type="checkbox"/> Short Tabs (Inside clearance 1/2") <small>*Not available with Ultra Grip</small> | | | \$ STD |
| <input type="checkbox"/> Short Tab (Set closest to wheel cut off excess) <small>*Not available with Ultra Grip, Y-360 wheel, X-Core, Topolino Wheels, Pro Wheels</small> | | | \$ 15 |

C WHEELS, TIRES & CASTERS, FORKS 2/2

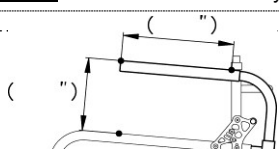
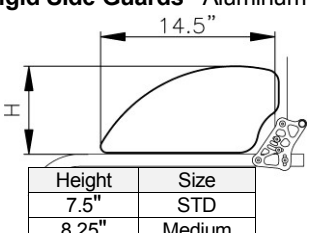
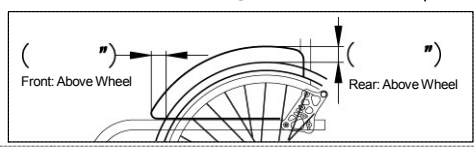
| TIRES | | | | |
|--------------------------|---|---|--|--------------------|
| <input type="checkbox"/> | High Pressure Tire | <input type="checkbox"/> 24"x1", <input type="checkbox"/> 25"x1" or <input type="checkbox"/> 26"x1" | Gray Tire with black wall Only | E2211/E2212 \$ STD |
| <input type="checkbox"/> | High Pressure Tire | <input type="checkbox"/> 24"x1", <input type="checkbox"/> 25"x1" or <input type="checkbox"/> 26"x1" | <input type="checkbox"/> Blue <input type="checkbox"/> Red | E2211/E2212 \$ 65 |
| <input type="checkbox"/> | Low Pressure Tire | <input type="checkbox"/> 24"x1-3/8" or <input type="checkbox"/> 26"x1-3/8" | Gray Only | E2211/E2212 \$ STD |
| <input type="checkbox"/> | E2211Schwalbe Marathon Plus High Pressure Tire | <input type="checkbox"/> 24"x1", <input type="checkbox"/> 25"x1" or <input type="checkbox"/> 26"x1" | Black Only | E2211/E2212 \$ 99 |
| <input type="checkbox"/> | Solid Tire | <input type="checkbox"/> 24"x1", <input type="checkbox"/> 25"x1" or <input type="checkbox"/> 26"x1" | <input type="checkbox"/> Dark Gray <input type="checkbox"/> Black(\$30up charge) | E2218 \$ 135 |
| <input type="checkbox"/> | E2211 Moderate V-Track Knobby Tire | 24"x1-3/8" (37-540) | Gray Only | E2211/E2212 \$ 117 |
| <input type="checkbox"/> | E2211 Aggressive Knobby Tire | 24"x 2" (50-540) | Gray Only | E2211/E2212 \$ 117 |
| <input type="checkbox"/> | E2211 Aggressive Knobby Tire | 26"x 1.95" (50-559) | Black Only | E2211/E2212 \$ 117 |
| <input type="checkbox"/> | E2213 Flat-Free Inserts For 24"x1-3/8" Tires Only | | | E2211/E2213 \$ 117 |

| CASTERS | | | | | |
|-----------------------------|------------|---------------------|--|-----------------------------|--------|
| SIZE | TIRE WIDTH | HUB COLOR | TIRE COLOR | DESCRIPTION | |
| <input type="checkbox"/> 3" | 1" | Black Hub | Black Tire Only | Polyeurathane | \$ STD |
| <input type="checkbox"/> 3" | 1" | Plastic Black Hub | Clear Tire Only | Lighted, Polyeurathane | \$ 65 |
| <input type="checkbox"/> 3" | 1" | Red Hub | Red Tire Only | Polyeurathane | \$ STD |
| <input type="checkbox"/> 3" | 1" | Black Hub | Clear Tire Only | Polyeurathane | \$ STD |
| <input type="checkbox"/> 3" | 1" | Aluminum Silver Hub | Black Tire Only | Made By Flog Legs | \$ 160 |
| <input type="checkbox"/> 3" | 1" | Aluminum Black Hub | Black Tire Only | Made By Flog Legs | \$ 160 |
| <input type="checkbox"/> 3" | 1.5" | Aluminum Silver Hub | Black Tire Only | Soft Roll Made By Flog Legs | \$ 160 |
| <input type="checkbox"/> 3" | 1.5" | Aluminum Black Hub | Black Tire Only | Soft Roll Made By Flog Legs | \$ 160 |
| <input type="checkbox"/> 4" | 1" | Plastic Black Hub | Black Tire Only | Made By Flog Legs | \$ STD |
| <input type="checkbox"/> 4" | 1" | Plastic Black Hub | Clear Only | Lighted, Polyeurathane | \$ 65 |
| <input type="checkbox"/> 4" | 1" | Aluminum Silver Hub | Black Tire Only | Made By Flog Legs | \$ 160 |
| <input type="checkbox"/> 4" | 1" | Aluminum Black Hub | Black Tire Only | Made By Flog Legs | \$ 160 |
| <input type="checkbox"/> 4" | 1.5" | Composite Black Hub | Tire <input type="checkbox"/> Black <input type="checkbox"/> Blue <input type="checkbox"/> Red | Soft Roll Made By Flog Legs | \$ 120 |
| <input type="checkbox"/> 4" | 1.5" | Aluminum Silver Hub | Tire <input type="checkbox"/> Black <input type="checkbox"/> Blue <input type="checkbox"/> Red | Soft Roll Made By Flog Legs | \$ 160 |
| <input type="checkbox"/> 4" | 1.5" | Aluminum Black Hub | Black Tire Only | Soft Roll Made By Flog Legs | \$ 160 |
| <input type="checkbox"/> 5" | 1" | Composite Black Hub | Black Tire Only | | \$ STD |
| <input type="checkbox"/> 5" | 1" | Plastic Black Hub | Clear Tire Only | Lighted, Polyeurathane | \$ 65 |
| <input type="checkbox"/> 5" | 1" | Composite Black Hub | Black Tire Only | Made By Flog Legs | \$ 120 |
| <input type="checkbox"/> 5" | 1" | Aluminum Silver Hub | Black Tire Only | Made By Flog Legs | \$ 160 |
| <input type="checkbox"/> 5" | 1" | Aluminum Black Hub | Black Tire Only | Made By Flog Legs | \$ 160 |
| <input type="checkbox"/> 5" | 1.5" | Composite Black Hub | Tire <input type="checkbox"/> Black <input type="checkbox"/> Blue <input type="checkbox"/> Red | Soft Roll Made By Flog Legs | \$ 120 |
| <input type="checkbox"/> 5" | 1.5" | Aluminum Silver Hub | Tire <input type="checkbox"/> Black <input type="checkbox"/> Blue <input type="checkbox"/> Red | Soft Roll Made By Flog Legs | \$ 160 |
| <input type="checkbox"/> 5" | 1.5" | Aluminum Black Hub | Black Tire Only | Soft Roll Made By Flog Legs | \$ 160 |

| FORKS | | | | |
|--------------------------|--|--|-------|--------|
| <input type="checkbox"/> | STD Aluminum Forks | Black Only | | \$ STD |
| | Extra Options for Aluminum Forks | <input type="checkbox"/> With Suspension Springs | E1015 | \$ 55 |
| | | <input type="checkbox"/> With Quick Release Axles | K0073 | \$ 107 |
| <input type="checkbox"/> | Frog Leg Suspension Forks Std 1" Wide (For 3", 4" x 1" width Caster and 5" lighted Caster) | (Not available with Quick Release Axles) | | |
| | Color | <input type="checkbox"/> Anodized Black <input type="checkbox"/> Anodized Silver | E1015 | \$ 535 |
| <input type="checkbox"/> | Frog Leg Suspension Forks 1.5" Wide (For 3", 4" x 1.5" width Caster and 5" Caster) | (Not available with Quick Release Axles) | | |
| | Color | <input type="checkbox"/> Anodized Black <input type="checkbox"/> Anodized Silver | E1015 | \$ 535 |

| | | |
|--|-------------------------|-----------|
| | Sub Total Section C 1/2 | \$ |
| | Sub Total Section C 2/2 | \$ |
| | Total Section C | \$ |

D COMPONENTS

| WHEEL LOCKS | | | | | | | | |
|--|--------|---|------|------|-----|-------|--------|--|
| <input type="checkbox"/> Push to Lock / Anodized Black Only | | \$ STD | | | | | | |
| <input type="checkbox"/> NEW Compact Push to Lock / Anodized Black Only <input type="checkbox"/> w/ 2" Extension Handle (\$65 up charge) | | \$ 110 | | | | | | |
| <input type="checkbox"/> NEW Compact Scissor Lock / Anodized Black Only | | \$ 110 | | | | | | |
| <input type="checkbox"/> D's Locks (*Not available with Twister, Y-360, X-Core, Topolino WX2.5, Pro Wheels, Magic wheels) (*Does not include installation fee) | | \$ 624 | | | | | | |
| * <input type="checkbox"/> Installation fee for D's Locks (\$250) * Installation of OEM parts subject to flat fee labor charge | | | | | | | | |
| PUSH HANDLES | | | | | | | | |
| <input type="checkbox"/> Integrated w/Fixed Backrest Height / Anodized Black Only | | \$ STD | | | | | | |
| <input type="checkbox"/> Bolt-on / Anodized Black Only Specify Height from floor (") | | \$ 142 | | | | | | |
| <input type="checkbox"/> Bolt-on w/Quick Release / Anodized Black Only Specify Height from floor (") | | \$ 190 | | | | | | |
| <input type="checkbox"/> NEW Height Adj. / Anodized Black Only Specify Maximum height from floor (") | | \$ 295 | | | | | | |
| ARM RESTS | | | | | | | | |
| <input type="checkbox"/> Aluminum, Padded – Swing Away (Adj. Height Range 8" - 12.5") Set at " from Seat / Anodized Black Only | E0973 | \$ 225 | | | | | | |
| <input type="checkbox"/> Custom Length & Height Aluminum, Padded – Swing Away Armrests Anodized Black Only | E0973 | \$ 375 | | | | | | |
|  | | | | | | | | |
| ANTI-TIPPERS | | | | | | | | |
| <input type="checkbox"/> Anti-Tippers (pair) w/ Quick Release / Anodized Black Only | E0971 | \$ 112 | | | | | | |
| SIDE GUARDS | | | | | | | | |
| <input type="checkbox"/> Rigid Side Guards - Black ABS <input type="checkbox"/> Non-Removable <input type="checkbox"/> Removable <input type="checkbox"/> Removable w/Hole (\$10 up charge) | | \$ 142 | | | | | | |
| Size: <input type="checkbox"/> STD <input type="checkbox"/> Medium <input type="checkbox"/> Cut to Wheel (\$98 up charge) Measurement | | | | | | | | |
| Color: Black Only | | | | | | | | |
| <input type="checkbox"/> Rigid Side Guards - Aluminum <input type="checkbox"/> Non-Removable <input type="checkbox"/> Removable | | \$ 197 | | | | | | |
| Size: <input type="checkbox"/> Medium Only <input type="checkbox"/> Cut to Wheel (\$98 up charge) Measurement | | | | | | | | |
| Color <input type="checkbox"/> Black (STD) <input type="checkbox"/> Pol. Aluminum (STD) | | | | | | | | |
| <input type="checkbox"/> Powder Coated () (\$50 up charge) | | | | | | | | |
| <input type="checkbox"/> Gold Plate (+CFP) | | | | | | | | |
|  | | | | | | | | |
| <table border="1" style="margin-left: auto; margin-right: auto;"> <thead> <tr> <th>Height</th> <th>Size</th> </tr> </thead> <tbody> <tr> <td>7.5"</td> <td>STD</td> </tr> <tr> <td>8.25"</td> <td>Medium</td> </tr> </tbody> </table> | | Height | Size | 7.5" | STD | 8.25" | Medium | |
| Height | Size | | | | | | | |
| 7.5" | STD | | | | | | | |
| 8.25" | Medium | | | | | | | |
|  | | | | | | | | |
| <input type="checkbox"/> PRO-TEX Fender Guards / (Black ABS -Only) <input type="checkbox"/> Cut to Fit Specs <input type="checkbox"/> Do Not Install | | \$ 175 | | | | | | |
| <input type="checkbox"/> Fabric Clothing Guards Black Nylon w/Velcro | | \$ 78 | | | | | | |
| SEAT CUSHION | | | | | | | | |
| <input type="checkbox"/> Foam Cushion w/Nylon Cover Thickness <input type="checkbox"/> 1" <input type="checkbox"/> 2" <input type="checkbox"/> 3" <input type="checkbox"/> 4" | | \$ 78 | | | | | | |
| *Please see section E for other cushion choices. | | | | | | | | |
| MISCELLANEOUS | | | | | | | | |
| <input type="checkbox"/> Frame Protectors / Black Leather/Zipper Type | | \$ 78 | | | | | | |
| <input type="checkbox"/> K0065 Spoke Protectors / Black Only <input type="checkbox"/> 24" <input type="checkbox"/> 25" <input type="checkbox"/> 26" | K0065 | \$ 107 | | | | | | |
| <input type="checkbox"/> E0978 Seat Belt w/Auto Buckle (BP) 1.5" Black Belt Only | E0978 | \$ 69 | | | | | | |
| <input type="checkbox"/> Tie Down Brackets 4pcs. | | \$ 210 | | | | | | |
| SPECIALTY PARTS | | | | | | | | |
| <input type="checkbox"/> Wheelchair Tray Size: <input type="checkbox"/> 11" x 13" <input type="checkbox"/> 13" x 15" <input type="checkbox"/> 13" x 17" / Color: <input type="checkbox"/> Raw Alum. <input type="checkbox"/> Black Alum. <input type="checkbox"/> Polish Alum. (\$250 up charge) | | \$ 250 | | | | | | |
| <input type="checkbox"/> Ski Tips on Caster Forks | | \$ 275 | | | | | | |
| UPHOLSTERY CHOICE & COLOR | | *Positioning Back Available. Please see Section E | | | | | | |
| <input type="checkbox"/> Standard Adjustable Ht Backrest Black Only | | \$ STD | | | | | | |
| <input type="checkbox"/> Adjustable Tension Backrest Black Only (*Not available with 8" Backrest Height) | | \$ 135 | | | | | | |
| Custom <input type="checkbox"/> Custom Colored For Std. or Adj. Style <input type="checkbox"/> Black <input type="checkbox"/> Red | | (\$60 up charge) | | | | | | |
| Options <input type="checkbox"/> Fabrics for Fun <input type="checkbox"/> 001 <input type="checkbox"/> 002 <input type="checkbox"/> 003 <input type="checkbox"/> 004 <input type="checkbox"/> 006 <input type="checkbox"/> 010 <input type="checkbox"/> 011 | | (\$95 up charge) | | | | | | |
| For Std. or Adj. Style <input type="checkbox"/> 014 <input type="checkbox"/> 015 <input type="checkbox"/> 016 <input type="checkbox"/> 017 <input type="checkbox"/> 018 <input type="checkbox"/> 020 <input type="checkbox"/> 021 | | | | | | | | |
| <input type="checkbox"/> 022 <input type="checkbox"/> 023 <input type="checkbox"/> 024 <input type="checkbox"/> 025 <input type="checkbox"/> 026 <input type="checkbox"/> 027 <input type="checkbox"/> 028 | | | | | | | | |
| <input type="checkbox"/> Backrest Leather Trim (outside panels) | | (\$77 up charge) | | | | | | |
| <input type="checkbox"/> Calf Strap <input type="checkbox"/> Black <input type="checkbox"/> Matching Fabric (\$55 up charge) -Select Fabric () | K0038 | \$ 24 | | | | | | |
| <input type="checkbox"/> Matching Fabric on Padded Side Guards -Select Fabric () | | \$ 210 | | | | | | |
| <input type="checkbox"/> Cushion Cover (Std. Foam Cushion Only)-Select Fabric () Width " Depth " Thickness "... | | \$ 90 | | | | | | |
| Total Section D | | \$ | | | | | | |

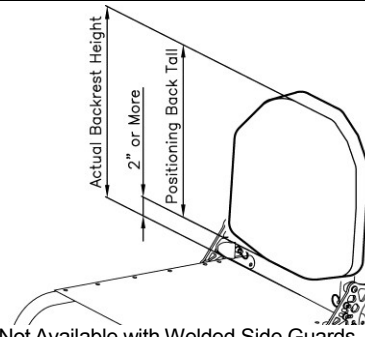
E CHAIR OPTIONS 1/2

| SEAT CUSHION | | | | |
|--|--|---|--------|--------|
| SUPRACOR® WHEELCHAIR CUSHIONS | | | | |
| Stimulite® Contoured Cushion *Black Upholstery only | <input type="checkbox"/> W 14"xD 16" (CD1416) | E2603 | \$ 525 | |
| | <input type="checkbox"/> W 16"xD 16" (CD1616) | E2603 | \$ 525 | |
| | <input type="checkbox"/> W 16"xD 18" (CD1618) | E2603 | \$ 525 | |
| | <input type="checkbox"/> W 18"xD 16" (CD1816) | E2603 | \$ 525 | |
| | <input type="checkbox"/> W 18"xD 18" (CD1818) | E2603 | \$ 525 | |
| | <input type="checkbox"/> W 18"xD 20" (CD1820) | E2603 | \$ 540 | |
| | <input type="checkbox"/> W 20"xD 16" (CD2016) | E2603 | \$ 540 | |
| | <input type="checkbox"/> W 20"xD 18" (CD2018) | E2603 | \$ 540 | |
| | <input type="checkbox"/> W 20"xD 20" (CD2020) | E2603 | \$ 555 | |
| | | <input type="checkbox"/> Extra Sensitive (\$30 up charge) <input type="checkbox"/> Sling Style Bottom (\$45 up charge) <input type="checkbox"/> Custom Size W(") x D(") (\$- CFP) | | |
| Stimulite® Slimline Cushion *Black Upholstery only | <input type="checkbox"/> W 14"xD 16" (SM1416) | E2603 | \$ 495 | |
| | <input type="checkbox"/> W 16"xD 16" (SM1616) | E2603 | \$ 495 | |
| | <input type="checkbox"/> W 16"xD 18" (SM1618) | E2603 | \$ 495 | |
| | <input type="checkbox"/> W 18"xD 18" (SM1818) | E2603 | \$ 495 | |
| | <input type="checkbox"/> W 18"xD 20" (SM1820) | E2603 | \$ 495 | |
| | <input type="checkbox"/> W 20"xD 16" (SM2016) | E2603 | \$ 510 | |
| | <input type="checkbox"/> W 20"xD 18" (SM2018) | E2603 | \$ 510 | |
| | <input type="checkbox"/> W 20"xD 20" (SM2020) | E2603 | \$ 510 | |
| | | <input type="checkbox"/> Extra Sensitive (\$30 up charge) <input type="checkbox"/> Sling Style Bottom (\$45 up charge) <input type="checkbox"/> Custom Size W(") x D(") (\$- CFP) | | |
| | Stimulite® Corbee Pediatric *Black Upholstery only | <input type="checkbox"/> W 10"xD 10" (PD1010) | E2603 | \$ 450 |
| <input type="checkbox"/> W 12"xD 12" (PD1212) | | E2603 | \$ 450 | |
| <input type="checkbox"/> W 14"xD 14" (PD1414) | | E2603 | \$ 450 | |
| | <input type="checkbox"/> Extra Sensitive (\$30 up charge) <input type="checkbox"/> Sling Style Bottom (\$45 up charge) <input type="checkbox"/> Custom Size W(") x D(") (\$- CFP) | | | |
| ROHO WHEELCHAIR CUSHIONS | | | | |
| <input type="checkbox"/> 4" HIGH PROFILE® QUADTRO SELECT® CUSHION Width (") x Depth (") | | E2622-2623 | \$ 525 | |
| *Available 12"-24" width *Black Upholstery only | | | | |
| <input type="checkbox"/> 3" MID PROFILE® QUADTRO SELECT® CUSHION *Black Upholstery only -Choose Size | | E2622-2623 | \$ 525 | |
| <input type="checkbox"/> W 15"xD 15 <input type="checkbox"/> W 15"xD 16 <input type="checkbox"/> W 16"xD 16 <input type="checkbox"/> W 16"xD 18 <input type="checkbox"/> W 18"xD 16" <input type="checkbox"/> W 18"xD 18" | | | | |
| <input type="checkbox"/> 2" LOW PROFILE® QUADTRO SELECT® CUSHION *Black Upholstery only Width (") x Depth (") | | E2622-2623 | \$ 525 | |
| *Available 12"-20" width | | | | |
| <input type="checkbox"/> 2" NEXUS SPIRIT® CUSHION *Black Upholstery only -Choose Size | | E2622 | \$ 525 | |
| <input type="checkbox"/> W 15"xD 15 <input type="checkbox"/> W 16"xD 16 <input type="checkbox"/> W 16"xD 18 <input type="checkbox"/> W 17"xD 17 <input type="checkbox"/> W 18"xD 16" <input type="checkbox"/> W 18"xD 18" <input type="checkbox"/> W 20"xD 18" | | | | |
| STAR CUSHIONS | | | | |
| Galaxy Cushion *Black Upholstery only | <input type="checkbox"/> W 14"xD 14" (GXY 1414-2) | E2624 | \$ 405 | |
| | <input type="checkbox"/> W 14"xD 16" (GXY 1416-2) | | | |
| | <input type="checkbox"/> W 16"xD 14" (GXY 1614-2) | | | |
| | <input type="checkbox"/> W 16"xD 16" (GXY 1616-2) | | | |
| | <input type="checkbox"/> W 16"xD 18" (GXY 1618-2) | | | |
| | <input type="checkbox"/> W 18"xD 16" (GXY 1816-2) | | | |
| | <input type="checkbox"/> W 18"xD 18" (GXY 1818-2) | | | |
| | <input type="checkbox"/> W 18"xD 20" (GXY 1820-2) | | | |
| | <input type="checkbox"/> W 20"xD 16" (GXY 2016-2) | | | |
| | <input type="checkbox"/> W 20"xD 18" (GXY 2018-2) | | | |
| <input type="checkbox"/> W 20"xD 20" (GXY 2020-2) | | | | |
| | Choose Zoning Options <input type="checkbox"/> Standard - Dual Valve <input type="checkbox"/> Dual Valve - Front to Back <input type="checkbox"/> Four Valve <input type="checkbox"/> Simple - Single Valve <input type="checkbox"/> Four Valve - Enhanced <input type="checkbox"/> Four Valve - Front to Back | | | |
| NOTE | | | | |

E CHAIR OPTIONS 2/2

POSITIONING BACK

Note : Actual height of the backrest will increase 2" or more.



ADI CARBON BACKREST (Support Contour-ACTIVE 2.5") *Not Available with Welded Side Guards

Mounting Hardware: 2 Point Pro Quick Release

| | | | | |
|--------|--|-----------|--------------|--------|
| Height | <input type="checkbox"/> LOW (10" Tall) *Backrest Height requires 12" or more *Available 13"-19" width | Width () | E2613 | \$ 745 |
| | <input type="checkbox"/> Medium (13" Tall) *Backrest Height requires 15" or more *Available 13"-19" width | Width () | E2613 | \$ 815 |
| | <input type="checkbox"/> Standard (16" Tall) *Backrest Height requires 18" or more *Available 13"-19" width | Width () | E2613 | \$ 880 |
| | <input type="checkbox"/> Custom Size (" Tall) x (" width) | | E2613 | \$ CFP |

ADI ALUMINUM BACKREST (Support Contour-ACTIVE 2.5") *Not Available with Welded Side Guards

Mounting Hardware: 2 Point Pro Quick Release

| | | | | |
|--------|--|-----------|--------------|--------|
| Height | <input type="checkbox"/> LOW (10" Tall) *Backrest Height requires 12" or more *Available 10"-20" width | Width () | E2613 | \$ 610 |
| | <input type="checkbox"/> Medium (13" Tall) *Backrest Height requires 15" or more *Available 12"-20" width | Width () | E2613 | \$ 625 |
| | <input type="checkbox"/> Standard (16" Tall) *Backrest Height requires 18" or more *Available 14"-20" width | Width () | E2613 | \$ 640 |
| | <input type="checkbox"/> Tall (18" Tall) *Backrest Height requires 20" or more *Available 16"-20" width | Width () | E2613 | \$ 655 |
| | <input type="checkbox"/> X-Tall (20" Tall) *Backrest Height requires 22" or more *Available 16"-20" width | Width () | E2613 | \$ 670 |
| | <input type="checkbox"/> Custom Size (" Tall) x (" width) | | E2613 | \$ CFP |

ADI ALUMINUM BACKREST (Support Contour-DEEP 4") *Not Available with Welded Side Guards

Mounting Hardware: 2 Point Pro Quick Release

| | | | | |
|--------|--|-----------|--------------|--------|
| Height | <input type="checkbox"/> LOW (10" Tall) *Backrest Height requires 12" or more *Available 10"-20" width | Width () | E2615 | \$ 710 |
| | <input type="checkbox"/> Medium (13" Tall) *Backrest Height requires 15" or more *Available 12"-20" width | Width () | E2615 | \$ 725 |
| | <input type="checkbox"/> Standard (16" Tall) *Backrest Height requires 18" or more *Available 14"-20" width | Width () | E2615 | \$ 740 |
| | <input type="checkbox"/> Tall (18" Tall) *Backrest Height requires 20" or more *Available 16"-20" width | Width () | E2615 | \$ 755 |
| | <input type="checkbox"/> X-Tall (20" Tall) *Backrest Height requires 22" or more *Available 16"-20" width | Width () | E2615 | \$ 770 |
| | <input type="checkbox"/> Custom Size (" Tall) x (" width) | | E2615 | \$ CFP |

OTHER

| | |
|---|--------|
| <input type="checkbox"/> ADI Transfer Board <input type="checkbox"/> 21" (ADV21) <input type="checkbox"/> 24" (ADV24) <input type="checkbox"/> 29" (ADV29) | \$ 62 |
| <input type="checkbox"/> ADI Push and Transfer Gloves Leather (one size fits) | \$ 60 |
| <input type="checkbox"/> ADI Carbon Solid Seat (Wide: 18" Max, Depth: 20" Max) | \$ 625 |
| <input type="checkbox"/> ADI Folding Carbon Side Guard | \$ 400 |
| <input type="checkbox"/> ADI Fixed Carbon Side Guard | \$ 375 |

NOTE

| | |
|--------------------------------|----|
| Sub Total Section E 1/2 | \$ |
| Sub Total Section E 2/2 | \$ |
| Total Section E | \$ |