

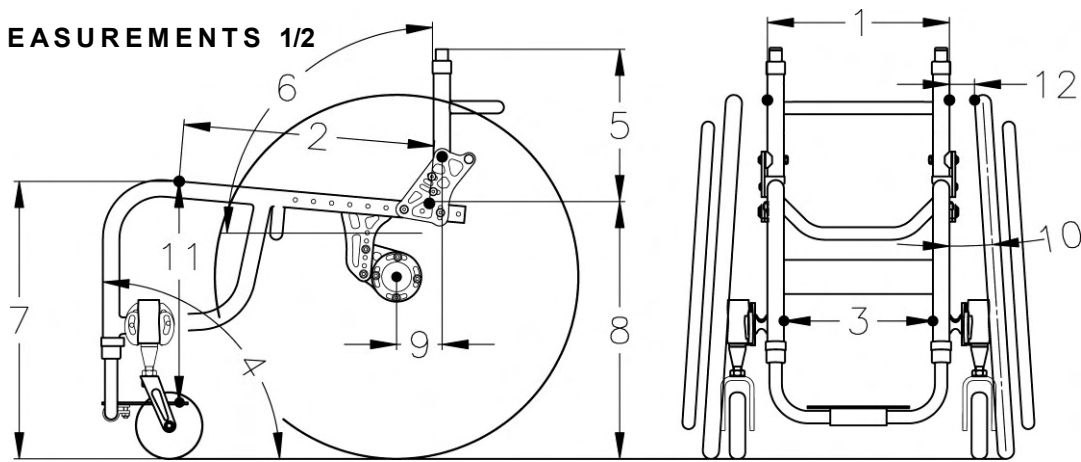
DEALER			COLOURS INFORMATION For Office Use Only		
Dealer:			Order Date:		S/N:
Account:		P.O.#:	<b>RTS</b>		
Ordered By:			RTS:		Phone:
Address:			Email:		
City:		State:	Zip:		<b>SHIP TO</b>
Phone:		Fax:		Name:	
Email:			Ship Via:		
Customer Name:			Address:		
Note			City:		State:
			Phone:		Fax:

CHAIR INFORMATION	PRICE
<b>CHUMP E1238</b>	Base Wheel Chair Price <b>E1238</b> \$ 2,400
<b>Adjustable FSH-RSH</b>	Total Section <b>A</b> \$
<b>Max. Capacity 250Lbs</b>	Total Section <b>B</b> \$
NOTE	Total Section <b>C</b> \$
	Total Section <b>D</b> \$
	Total Section <b>E</b> \$
	Total Section <b>F (Custom Parts Color)</b> \$
	<b>ORDER GRAND TOTAL</b> \$

**A FRAME COLORS & PARTS COLORS**

FRAME COLORS		
<b>Powder-Coated</b> <input type="checkbox"/> Gloss Black <input type="checkbox"/> Twilight Flake <input type="checkbox"/> Yellow <input type="checkbox"/> Magenta <input type="checkbox"/> Fire Engine Red <input type="checkbox"/> White <input type="checkbox"/> Candy Blue <input type="checkbox"/> Candy Purple <input type="checkbox"/> Candy Green <input type="checkbox"/> Candy Red <input type="checkbox"/> Candy Raspberry <input type="checkbox"/> Cobalt Blue <input type="checkbox"/> Matte Gray <input type="checkbox"/> Matte Purple <input type="checkbox"/> Matte Blue <input type="checkbox"/> Matte Green <input type="checkbox"/> Matte Black <input type="checkbox"/> Matte Red <input type="checkbox"/> Neon Red <input type="checkbox"/> Neon Green <input type="checkbox"/> Orange Sparkle <input type="checkbox"/> Mellon Yellow <input type="checkbox"/> Gun Smoke Silver <input type="checkbox"/> Pigeon Blue <input type="checkbox"/> Granny Sparkle Green <input type="checkbox"/> Sparkle Sky Blue <input type="checkbox"/> Vermilion <input type="checkbox"/> Reed Green <input type="checkbox"/> Blue Lilac		\$ STD
<b>Special Colors</b> <input type="checkbox"/> Polished Aluminum..... <input type="checkbox"/> 24 karat Gold Plated.....		\$ 800 \$ CFP
PARTS COLORS (Custom Parts Color Section, Please see Section F)		
<b>STD Color</b>	Black Color (*Suspension Springs-Silver Color Only).....	\$ STD
<b>Custom Color Main Bolt on Parts One Color Package</b> <input type="checkbox"/> Powder-Coated ( ) <input type="checkbox"/> Polished Aluminum..... <input type="checkbox"/> 24 karat Gold Plated.....	Including: Backrest, Foot Plate, Footrest Rings, Backrest Brackets, Saddle Stops, Forks & Knurl Nuts, Caps, Front Suspension Springs, Axle Tube, Axle Plates, Axle Bases, Camber Discs .....☆marked parts	\$ 500 \$ 750 \$ CFP
<b>Total Section A</b>		<b>\$</b>

## B FRAME MEASUREMENTS 1/2



<b>1. SEAT WIDTH</b>	<input type="checkbox"/> 10" <input type="checkbox"/> 11" <input type="checkbox"/> 12" <input type="checkbox"/> 13" <input type="checkbox"/> 14"            .....	\$ STD								
<b>2. SEAT DEPTH</b>	<input type="checkbox"/> <b>Net Seat Depth</b> <input type="checkbox"/> 10" <input type="checkbox"/> 11" <input type="checkbox"/> 12" <input type="checkbox"/> 13" <input type="checkbox"/> 14" <input type="checkbox"/> 15"            .....	\$ STD								
* Only Choose One Option	<input type="checkbox"/> <b>Depth Adj. Frame</b>									
	<input type="checkbox"/> <b>Short Frame (12" Depth)</b> Set at <input type="checkbox"/> 10" <input type="checkbox"/> 11" <input type="checkbox"/> 12"            .....	\$ STD								
	<input type="checkbox"/> <b>STD Frame (15" Depth)</b> Set at <input type="checkbox"/> 11" <input type="checkbox"/> 12" <input type="checkbox"/> 13" <input type="checkbox"/> 14" <input type="checkbox"/> 15"            ..	\$ STD								
	<input type="checkbox"/> <b>Positioning Frame</b> Add (    " ) .....	\$ 150								
<b>3. FOOTREST WIDTH</b>	<input type="checkbox"/> <b>STD</b> (Seat Width Minus 2", No Taper Frame) .....	\$ STD								
	<input type="checkbox"/> <b>Custom</b> (    " ) *Taper on Top or Reverse Taper on Top Only .....	\$ 150								
<b>FOOT PLATE STYLE</b>	<input type="checkbox"/> <b>Standard single loop</b> with adjust. height & angle. STD Foot Plate .....	K0040 \$ STD								
	<input type="checkbox"/> <b>Single Flip-Back-single loop</b> (no riser avail) with adjust. height & angle. STD Foot Plate .....	K0040 \$ 150								
	<b>STD Foot Plate Size Chart</b> <table border="1"> <thead> <tr> <th>Your Footrest Width</th> <th>Foot Plate Size</th> </tr> </thead> <tbody> <tr> <td>8.0"-10.5"</td> <td>STD (W6.5"xD5")</td> </tr> <tr> <td>11.0"-13.0"</td> <td>Large (W8.5"xD6.5")</td> </tr> <tr> <td>13.5"-17.0"</td> <td>X-Large (W11"xD6.5")</td> </tr> </tbody> </table>	Your Footrest Width	Foot Plate Size	8.0"-10.5"	STD (W6.5"xD5")	11.0"-13.0"	Large (W8.5"xD6.5")	13.5"-17.0"	X-Large (W11"xD6.5")	
Your Footrest Width	Foot Plate Size									
8.0"-10.5"	STD (W6.5"xD5")									
11.0"-13.0"	Large (W8.5"xD6.5")									
13.5"-17.0"	X-Large (W11"xD6.5")									
<b>CUSTOM FOOT PLATE</b>	<input type="checkbox"/> <b>Custom Foot Plate.</b> with adjust. height & angle .....	K0040 \$ 75								
	*Available Solid Plate Only <input type="checkbox"/> <b>Drill 2Sets Extra Holes in Footplate</b> .....									
	<input type="checkbox"/> <b>Custom Tubular Footrest</b> .....	\$ 250								
	<input type="checkbox"/> <b>With ABS Foot Plate (\$65 up charge)</b>									
<b>4. FRAME ANGLE</b>	<input type="checkbox"/> 75° <input type="checkbox"/> 80° <input type="checkbox"/> 85° <input type="checkbox"/> 90°            to the ground .....	\$ STD								
	<input type="checkbox"/> <b>Custom</b> (    ° ) to the ground .....	\$ NCO								

**B FRAME MEASUREMENTS 2/2**

<b>5. BACKREST HEIGHT</b> <small>* Rigidizer bar 3.25" deep std.</small>	<input type="checkbox"/> 8" <input type="checkbox"/> 9" <input type="checkbox"/> 10" <input type="checkbox"/> 11" <input type="checkbox"/> 12" <input type="checkbox"/> 13" <input type="checkbox"/> 14" <input type="checkbox"/> 15" <input type="checkbox"/> 16" <input type="checkbox"/> 17" <input type="checkbox"/> 18"	Adj. Range	Adj. Range	Adj. Range	\$ STD																																																																																																																																											
<b>CUSTOM</b>	Type	<input type="checkbox"/> <b>Folding with adjust. height &amp; angle</b> ..... \$ STD <input type="checkbox"/> <b>Locking mechan. with adjust. height &amp; angle</b> ..... \$ STD <input type="checkbox"/> <b>Double Locking mechan. with adjust. height &amp; angle</b> ..... \$ 25																																																																																																																																														
		<input type="checkbox"/> <b>Welded Backrest</b> Angle Set at (        ") to the ground *Non Folding only ..... \$ 150 <input type="checkbox"/> <b>Welded Side Guards</b> ..... \$ 450 <b>*Non Folding Backrest Only</b>																																																																																																																																														
		<input type="checkbox"/> <b>Custom Backrest</b> ..... \$ 150 <small>(ie: double rigidizer bars, custom depth, custom height, etc)</small>																																																																																																																																														
<b>6. BACKREST ANGLE</b>	Set at (        °) to the ground *STD 90° ..... \$ STD																																																																																																																																															
<b>7. FRONT SEAT HEIGHT</b>	<input type="checkbox"/> 14.5" <input type="checkbox"/> 15.0" <input type="checkbox"/> 15.5" <input type="checkbox"/> 16.0" <input type="checkbox"/> 16.5" <input type="checkbox"/> 17.0" <input type="checkbox"/> 17.5" <input type="checkbox"/> 18.0" <input type="checkbox"/> 18.5" ..... \$ STD <small>The front seat heights are impacted by the size of your front caster.</small>																																																																																																																																															
Front Seat Height Ranges <small>*=Not Available with Quick Release Caster Axle.</small>	<table border="1" style="width:100%; border-collapse: collapse;"> <thead> <tr> <th colspan="2" rowspan="2"></th> <th colspan="10">Front Seat Height</th> </tr> <tr> <th>14.5"</th> <th>15.0"</th> <th>15.5"</th> <th>16.0"</th> <th>16.5"</th> <th>17.0"</th> <th>17.5"</th> <th>18.0"</th> <th>18.5"</th> </tr> </thead> <tbody> <tr> <td rowspan="9" style="writing-mode: vertical-rl; transform: rotate(180deg);">Your Casters &amp; Forks</td> <td>3"Caster &amp; STD Forks</td> <td><input type="checkbox"/>*</td> <td><input type="checkbox"/>*</td> <td><input type="checkbox"/></td> <td><input type="checkbox"/></td> <td><input type="checkbox"/></td> <td><input type="checkbox"/></td> <td><input type="checkbox"/></td> <td><input type="checkbox"/></td> <td><input type="checkbox"/></td> <td><input type="checkbox"/></td> <td><input type="checkbox"/></td> <td><input type="checkbox"/></td> </tr> <tr> <td>3"Caster &amp; Springs</td> <td></td> <td></td> <td><input type="checkbox"/></td> <td><input type="checkbox"/></td> <td><input type="checkbox"/></td> <td><input type="checkbox"/></td> <td><input type="checkbox"/></td> <td><input type="checkbox"/></td> <td><input type="checkbox"/></td> <td><input type="checkbox"/></td> <td><input type="checkbox"/></td> <td><input type="checkbox"/></td> </tr> <tr> <td>3"Caster &amp; Frog Legs</td> <td></td> <td></td> <td></td> <td><input type="checkbox"/>*</td> <td><input type="checkbox"/>*</td> <td><input type="checkbox"/>*</td> <td><input type="checkbox"/>*</td> <td><input type="checkbox"/>*</td> <td><input type="checkbox"/>*</td> <td><input type="checkbox"/>*</td> <td><input type="checkbox"/>*</td> <td><input type="checkbox"/>*</td> </tr> <tr> <td>4"Caster &amp; STD Forks</td> <td></td> <td></td> <td><input type="checkbox"/></td> <td><input type="checkbox"/></td> <td><input type="checkbox"/></td> <td><input type="checkbox"/></td> <td><input type="checkbox"/></td> <td><input type="checkbox"/></td> <td><input type="checkbox"/></td> <td><input type="checkbox"/></td> <td><input type="checkbox"/></td> <td><input type="checkbox"/></td> </tr> <tr> <td>4"Caster &amp; Springs</td> <td></td> <td></td> <td></td> <td><input type="checkbox"/></td> <td><input type="checkbox"/></td> <td><input type="checkbox"/></td> <td><input type="checkbox"/></td> <td><input type="checkbox"/></td> <td><input type="checkbox"/></td> <td><input type="checkbox"/></td> <td><input type="checkbox"/></td> <td><input type="checkbox"/></td> </tr> <tr> <td>4"Caster &amp; Frog Legs</td> <td></td> <td></td> <td></td> <td><input type="checkbox"/>*</td> <td><input type="checkbox"/>*</td> <td><input type="checkbox"/>*</td> <td><input type="checkbox"/>*</td> <td><input type="checkbox"/>*</td> <td><input type="checkbox"/>*</td> <td><input type="checkbox"/>*</td> <td><input type="checkbox"/>*</td> <td><input type="checkbox"/>*</td> </tr> <tr> <td>5"Caster &amp; STD Forks</td> <td></td> <td></td> <td></td> <td></td> <td><input type="checkbox"/>*</td> <td><input type="checkbox"/></td> <td><input type="checkbox"/></td> <td><input type="checkbox"/></td> <td><input type="checkbox"/></td> <td><input type="checkbox"/></td> <td><input type="checkbox"/></td> <td><input type="checkbox"/></td> </tr> <tr> <td>5"Caster &amp; Springs</td> <td></td> <td></td> <td></td> <td></td> <td><input type="checkbox"/>*</td> <td><input type="checkbox"/>*</td> <td><input type="checkbox"/>*</td> <td><input type="checkbox"/>*</td> <td><input type="checkbox"/>*</td> <td><input type="checkbox"/>*</td> <td><input type="checkbox"/>*</td> <td><input type="checkbox"/>*</td> </tr> <tr> <td>5"Caster &amp; Frog Legs</td> <td></td> <td></td> <td></td> <td></td> <td></td> <td><input type="checkbox"/>*</td> <td><input type="checkbox"/>*</td> <td><input type="checkbox"/>*</td> <td><input type="checkbox"/>*</td> <td><input type="checkbox"/>*</td> <td><input type="checkbox"/>*</td> <td><input type="checkbox"/>*</td> </tr> </tbody> </table>							Front Seat Height										14.5"	15.0"	15.5"	16.0"	16.5"	17.0"	17.5"	18.0"	18.5"	Your Casters & Forks	3"Caster & STD Forks	<input type="checkbox"/> *	<input type="checkbox"/> *	<input type="checkbox"/>	<input type="checkbox"/>	<input type="checkbox"/>	<input type="checkbox"/>	<input type="checkbox"/>	<input type="checkbox"/>	<input type="checkbox"/>	<input type="checkbox"/>	<input type="checkbox"/>	<input type="checkbox"/>	3"Caster & Springs			<input type="checkbox"/>	<input type="checkbox"/>	<input type="checkbox"/>	<input type="checkbox"/>	<input type="checkbox"/>	<input type="checkbox"/>	<input type="checkbox"/>	<input type="checkbox"/>	<input type="checkbox"/>	<input type="checkbox"/>	3"Caster & Frog Legs				<input type="checkbox"/> *	<input type="checkbox"/> *	<input type="checkbox"/> *	<input type="checkbox"/> *	<input type="checkbox"/> *	<input type="checkbox"/> *	<input type="checkbox"/> *	<input type="checkbox"/> *	<input type="checkbox"/> *	4"Caster & STD Forks			<input type="checkbox"/>	<input type="checkbox"/>	<input type="checkbox"/>	<input type="checkbox"/>	<input type="checkbox"/>	<input type="checkbox"/>	<input type="checkbox"/>	<input type="checkbox"/>	<input type="checkbox"/>	<input type="checkbox"/>	4"Caster & Springs				<input type="checkbox"/>	<input type="checkbox"/>	<input type="checkbox"/>	<input type="checkbox"/>	<input type="checkbox"/>	<input type="checkbox"/>	<input type="checkbox"/>	<input type="checkbox"/>	<input type="checkbox"/>	4"Caster & Frog Legs				<input type="checkbox"/> *	<input type="checkbox"/> *	<input type="checkbox"/> *	<input type="checkbox"/> *	<input type="checkbox"/> *	<input type="checkbox"/> *	<input type="checkbox"/> *	<input type="checkbox"/> *	<input type="checkbox"/> *	5"Caster & STD Forks					<input type="checkbox"/> *	<input type="checkbox"/>	<input type="checkbox"/>	<input type="checkbox"/>	<input type="checkbox"/>	<input type="checkbox"/>	<input type="checkbox"/>	<input type="checkbox"/>	5"Caster & Springs					<input type="checkbox"/> *	<input type="checkbox"/> *	<input type="checkbox"/> *	<input type="checkbox"/> *	<input type="checkbox"/> *	<input type="checkbox"/> *	<input type="checkbox"/> *	<input type="checkbox"/> *	5"Caster & Frog Legs						<input type="checkbox"/> *	<input type="checkbox"/> *	<input type="checkbox"/> *	<input type="checkbox"/> *	<input type="checkbox"/> *	<input type="checkbox"/> *	<input type="checkbox"/> *
		Front Seat Height																																																																																																																																														
		14.5"	15.0"	15.5"	16.0"	16.5"	17.0"	17.5"	18.0"	18.5"																																																																																																																																						
Your Casters & Forks	3"Caster & STD Forks	<input type="checkbox"/> *	<input type="checkbox"/> *	<input type="checkbox"/>	<input type="checkbox"/>	<input type="checkbox"/>	<input type="checkbox"/>	<input type="checkbox"/>	<input type="checkbox"/>	<input type="checkbox"/>	<input type="checkbox"/>	<input type="checkbox"/>	<input type="checkbox"/>																																																																																																																																			
	3"Caster & Springs			<input type="checkbox"/>	<input type="checkbox"/>	<input type="checkbox"/>	<input type="checkbox"/>	<input type="checkbox"/>	<input type="checkbox"/>	<input type="checkbox"/>	<input type="checkbox"/>	<input type="checkbox"/>	<input type="checkbox"/>																																																																																																																																			
	3"Caster & Frog Legs				<input type="checkbox"/> *	<input type="checkbox"/> *	<input type="checkbox"/> *	<input type="checkbox"/> *	<input type="checkbox"/> *	<input type="checkbox"/> *	<input type="checkbox"/> *	<input type="checkbox"/> *	<input type="checkbox"/> *																																																																																																																																			
	4"Caster & STD Forks			<input type="checkbox"/>	<input type="checkbox"/>	<input type="checkbox"/>	<input type="checkbox"/>	<input type="checkbox"/>	<input type="checkbox"/>	<input type="checkbox"/>	<input type="checkbox"/>	<input type="checkbox"/>	<input type="checkbox"/>																																																																																																																																			
	4"Caster & Springs				<input type="checkbox"/>	<input type="checkbox"/>	<input type="checkbox"/>	<input type="checkbox"/>	<input type="checkbox"/>	<input type="checkbox"/>	<input type="checkbox"/>	<input type="checkbox"/>	<input type="checkbox"/>																																																																																																																																			
	4"Caster & Frog Legs				<input type="checkbox"/> *	<input type="checkbox"/> *	<input type="checkbox"/> *	<input type="checkbox"/> *	<input type="checkbox"/> *	<input type="checkbox"/> *	<input type="checkbox"/> *	<input type="checkbox"/> *	<input type="checkbox"/> *																																																																																																																																			
	5"Caster & STD Forks					<input type="checkbox"/> *	<input type="checkbox"/>	<input type="checkbox"/>	<input type="checkbox"/>	<input type="checkbox"/>	<input type="checkbox"/>	<input type="checkbox"/>	<input type="checkbox"/>																																																																																																																																			
	5"Caster & Springs					<input type="checkbox"/> *	<input type="checkbox"/> *	<input type="checkbox"/> *	<input type="checkbox"/> *	<input type="checkbox"/> *	<input type="checkbox"/> *	<input type="checkbox"/> *	<input type="checkbox"/> *																																																																																																																																			
	5"Caster & Frog Legs						<input type="checkbox"/> *	<input type="checkbox"/> *	<input type="checkbox"/> *	<input type="checkbox"/> *	<input type="checkbox"/> *	<input type="checkbox"/> *	<input type="checkbox"/> *																																																																																																																																			
<b>8. REAR SEAT HEIGHT</b>	<input type="checkbox"/> 12.5" <input type="checkbox"/> 13.0" <input type="checkbox"/> 13.5" <input type="checkbox"/> 14.0" <input type="checkbox"/> 14.5" <input type="checkbox"/> 15.0" <input type="checkbox"/> 15.5" <input type="checkbox"/> 16.0" <input type="checkbox"/> 16.5" <input type="checkbox"/> 17.0" <input type="checkbox"/> 17.5" ..... \$ STD																																																																																																																																															
Rear Seat Height Ranges	<table border="1" style="width:100%; border-collapse: collapse;"> <thead> <tr> <th>Rear Tire Size</th> <th>Rear Seat Height</th> </tr> </thead> <tbody> <tr> <td>20"x1"(451)</td> <td>12.5"- 16.0"</td> </tr> <tr> <td>20"x1 3/8"(451)</td> <td>13.0"- 16.5"</td> </tr> <tr> <td>22"x1"(501)</td> <td>13.5"- 17.0"</td> </tr> <tr> <td>22"x1 3/8"(501)</td> <td>14.0"- 17.5"</td> </tr> </tbody> </table>					Rear Tire Size	Rear Seat Height	20"x1"(451)	12.5"- 16.0"	20"x1 3/8"(451)	13.0"- 16.5"	22"x1"(501)	13.5"- 17.0"	22"x1 3/8"(501)	14.0"- 17.5"																																																																																																																																	
Rear Tire Size	Rear Seat Height																																																																																																																																															
20"x1"(451)	12.5"- 16.0"																																																																																																																																															
20"x1 3/8"(451)	13.0"- 16.5"																																																																																																																																															
22"x1"(501)	13.5"- 17.0"																																																																																																																																															
22"x1 3/8"(501)	14.0"- 17.5"																																																																																																																																															
<b>9. CENTER OF GRAVITY</b>	<input type="checkbox"/> 0.0" <input type="checkbox"/> 0.5" <input type="checkbox"/> 1.0" <input type="checkbox"/> 1.5" <input type="checkbox"/> 2.0" <input type="checkbox"/> 2.5" <input type="checkbox"/> 3.0" <input type="checkbox"/> 3.5" <input type="checkbox"/> 4.0" <input type="checkbox"/> 4.5" ..... \$ STD																																																																																																																																															
Center of Gravity Ranges <small>☆=Not Available 4" and 5" Caster. ★=Not Available 22" Wheel.</small>	<table border="1" style="width:100%; border-collapse: collapse;"> <thead> <tr> <th colspan="2" rowspan="2"></th> <th colspan="10">Your Center of Gravity</th> </tr> <tr> <th>0"</th> <th>0.5"</th> <th>1.0"</th> <th>1.5"</th> <th>2.0"</th> <th>2.5"</th> <th>3.0"</th> <th>3.5"</th> <th>4.0"</th> <th>4.5"</th> </tr> </thead> <tbody> <tr> <td rowspan="6" style="writing-mode: vertical-rl; transform: rotate(180deg);">Your Seat Depth</td> <td>10"</td> <td><input type="checkbox"/>☆</td> <td><input type="checkbox"/>☆★</td> <td><input type="checkbox"/>☆★</td> <td></td> <td></td> <td></td> <td></td> <td></td> <td></td> <td></td> <td></td> <td></td> </tr> <tr> <td>11"</td> <td><input type="checkbox"/>☆</td> <td><input type="checkbox"/>☆</td> <td><input type="checkbox"/>☆</td> <td><input type="checkbox"/>☆★</td> <td><input type="checkbox"/>☆★</td> <td></td> <td></td> <td></td> <td></td> <td></td> <td></td> <td></td> </tr> <tr> <td>12"</td> <td><input type="checkbox"/></td> <td><input type="checkbox"/></td> <td><input type="checkbox"/>☆</td> <td><input type="checkbox"/>☆</td> <td><input type="checkbox"/>☆</td> <td><input type="checkbox"/>☆★</td> <td></td> <td></td> <td></td> <td></td> <td></td> <td></td> </tr> <tr> <td>13"</td> <td><input type="checkbox"/></td> <td><input type="checkbox"/></td> <td><input type="checkbox"/></td> <td><input type="checkbox"/></td> <td><input type="checkbox"/>☆</td> <td><input type="checkbox"/>☆</td> <td><input type="checkbox"/>☆</td> <td><input type="checkbox"/>☆★</td> <td></td> <td></td> <td></td> <td></td> </tr> <tr> <td>14"</td> <td><input type="checkbox"/></td> <td><input type="checkbox"/></td> <td><input type="checkbox"/></td> <td><input type="checkbox"/></td> <td><input type="checkbox"/></td> <td><input type="checkbox"/></td> <td><input type="checkbox"/></td> <td><input type="checkbox"/>☆</td> <td><input type="checkbox"/>☆</td> <td><input type="checkbox"/>☆★</td> <td></td> <td></td> </tr> <tr> <td>15"</td> <td><input type="checkbox"/></td> <td><input type="checkbox"/></td> <td><input type="checkbox"/></td> <td><input type="checkbox"/></td> <td><input type="checkbox"/></td> <td><input type="checkbox"/></td> <td><input type="checkbox"/></td> <td><input type="checkbox"/></td> <td><input type="checkbox"/></td> <td><input type="checkbox"/>☆</td> <td></td> <td></td> </tr> </tbody> </table>							Your Center of Gravity										0"	0.5"	1.0"	1.5"	2.0"	2.5"	3.0"	3.5"	4.0"	4.5"	Your Seat Depth	10"	<input type="checkbox"/> ☆	<input type="checkbox"/> ☆★	<input type="checkbox"/> ☆★										11"	<input type="checkbox"/> ☆	<input type="checkbox"/> ☆	<input type="checkbox"/> ☆	<input type="checkbox"/> ☆★	<input type="checkbox"/> ☆★								12"	<input type="checkbox"/>	<input type="checkbox"/>	<input type="checkbox"/> ☆	<input type="checkbox"/> ☆	<input type="checkbox"/> ☆	<input type="checkbox"/> ☆★							13"	<input type="checkbox"/>	<input type="checkbox"/>	<input type="checkbox"/>	<input type="checkbox"/>	<input type="checkbox"/> ☆	<input type="checkbox"/> ☆	<input type="checkbox"/> ☆	<input type="checkbox"/> ☆★					14"	<input type="checkbox"/>	<input type="checkbox"/>	<input type="checkbox"/>	<input type="checkbox"/>	<input type="checkbox"/>	<input type="checkbox"/>	<input type="checkbox"/>	<input type="checkbox"/> ☆	<input type="checkbox"/> ☆	<input type="checkbox"/> ☆★			15"	<input type="checkbox"/>	<input type="checkbox"/>	<input type="checkbox"/>	<input type="checkbox"/>	<input type="checkbox"/>	<input type="checkbox"/>	<input type="checkbox"/>	<input type="checkbox"/>	<input type="checkbox"/>	<input type="checkbox"/> ☆																																								
		Your Center of Gravity																																																																																																																																														
		0"	0.5"	1.0"	1.5"	2.0"	2.5"	3.0"	3.5"	4.0"	4.5"																																																																																																																																					
Your Seat Depth	10"	<input type="checkbox"/> ☆	<input type="checkbox"/> ☆★	<input type="checkbox"/> ☆★																																																																																																																																												
	11"	<input type="checkbox"/> ☆	<input type="checkbox"/> ☆	<input type="checkbox"/> ☆	<input type="checkbox"/> ☆★	<input type="checkbox"/> ☆★																																																																																																																																										
	12"	<input type="checkbox"/>	<input type="checkbox"/>	<input type="checkbox"/> ☆	<input type="checkbox"/> ☆	<input type="checkbox"/> ☆	<input type="checkbox"/> ☆★																																																																																																																																									
	13"	<input type="checkbox"/>	<input type="checkbox"/>	<input type="checkbox"/>	<input type="checkbox"/>	<input type="checkbox"/> ☆	<input type="checkbox"/> ☆	<input type="checkbox"/> ☆	<input type="checkbox"/> ☆★																																																																																																																																							
	14"	<input type="checkbox"/>	<input type="checkbox"/>	<input type="checkbox"/>	<input type="checkbox"/>	<input type="checkbox"/>	<input type="checkbox"/>	<input type="checkbox"/>	<input type="checkbox"/> ☆	<input type="checkbox"/> ☆	<input type="checkbox"/> ☆★																																																																																																																																					
	15"	<input type="checkbox"/>	<input type="checkbox"/>	<input type="checkbox"/>	<input type="checkbox"/>	<input type="checkbox"/>	<input type="checkbox"/>	<input type="checkbox"/>	<input type="checkbox"/>	<input type="checkbox"/>	<input type="checkbox"/> ☆																																																																																																																																					
<b>10. CAMBER ANGLE</b>	<input type="checkbox"/> 2° <input type="checkbox"/> 4° <input type="checkbox"/> 6° ..... \$ STD																																																																																																																																															
<b>11. FRONT OF SEAT SLING TO FOOTREST</b>	<input type="checkbox"/> 12.0" <input type="checkbox"/> 12.5" <input type="checkbox"/> 13.0" <input type="checkbox"/> 13.5" <input type="checkbox"/> 14.0" <input type="checkbox"/> 14.5" <input type="checkbox"/> 15.0" <input type="checkbox"/> 15.5" <input type="checkbox"/> 16.0" <input type="checkbox"/> 16.5" <input type="checkbox"/> 17.0" ..... \$ STD <small>*Measurement must be 1.5" shorter than your Front Seat Height</small>																																																																																																																																															
<b>HIGH MOUNT</b> * <input type="checkbox"/> 6.0" * <input type="checkbox"/> 6.5" * <input type="checkbox"/> 7.0" * <input type="checkbox"/> 7.5" * <input type="checkbox"/> 8.0" * <input type="checkbox"/> 8.5" * <input type="checkbox"/> 9.0" * <input type="checkbox"/> 9.5" * <input type="checkbox"/> 10.0" * <input type="checkbox"/> 10.5" * <input type="checkbox"/> 11.0" * <input type="checkbox"/> 11.5"..... \$ 65 <small>With Risers or Clamps *Not Available with Single Flip-Back Foot Plate</small>																																																																																																																																																
<b>12. INSIDE WHEEL CLEARANCE</b>	<input type="checkbox"/> 3/4" * <input type="checkbox"/> 1" <input type="checkbox"/> 1 1/4" <input type="checkbox"/> 1 1/2" <input type="checkbox"/> 1 3/4" <input type="checkbox"/> 2" ..... \$ STD <small>*3/4" Inside wheel clearance not available with 2 degree camber. (with the exception of Y-360 wheels)            *3/4" Inside wheel clearance not available with Armrest *3/4" Inside wheel clearance not available with Bite Hub Locked            *3/4" Inside wheel clearance not available with D's Locks</small>																																																																																																																																															
<b>NOTE</b>	Chump is a custom-made wheelchair. If you would like to customize your Chump beyond what is available on this order form please submit your request here. Colours will determine as to whether this request can be accomplished while maintaining the safety and integrity of the wheelchair. If it can be accomplished the quote will reflect any and all custom charges, thank you.																																																																																																																																															
				Sub Total Section B 1/2	\$																																																																																																																																											
				Sub Total Section B 2/2	\$																																																																																																																																											
				<b>Total Section B</b>	<b>\$</b>																																																																																																																																											



**C WHEELS, TIRES & CASTERS, FORKS 2/2**

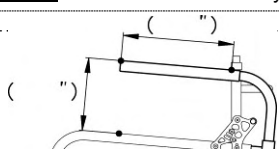
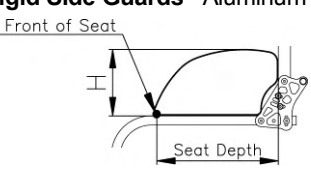
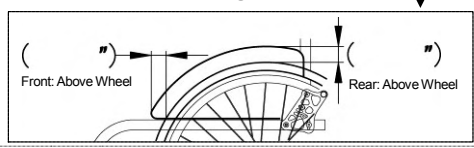
TIRES				
<input type="checkbox"/>	High Pressure Tire	20"x1"	Gray Tire Only	E2211/E2212 \$ STD
<input type="checkbox"/>	High Pressure Tire	22"x1"	Gray Tire with black wall Only	E2211/E2212 \$ 65
<input type="checkbox"/>	Low Pressure Tire	<input type="checkbox"/> 20"x1-3/8" or <input type="checkbox"/> 22"x1-3/8" Gray Only		E2211/E2212 \$ STD
<input type="checkbox"/>	Solid Tire	<input type="checkbox"/> 20"x1", <input type="checkbox"/> 22"x1"	<input type="checkbox"/> Dark Gray <input type="checkbox"/> Black( \$30up charge )	E2218 \$ 135
<input type="checkbox"/>	E2213 Flat-Free Inserts	For 20"x1-3/8" or 22"x1-3/8" Tires Only		E2211/E2213 \$ 117

CASTERS					
SIZE	TIRE WIDTH	HUB COLOR	TIRE COLOR	DESCRIPTION	
<input type="checkbox"/> 3"	1"	Black Hub	Black Tire Only	Polyeurathane	\$ STD
<input type="checkbox"/> 3"	1"	Plastic Black Hub	Clear Tire Only	Lighted, Polyeurathane	\$ 65
<input type="checkbox"/> 3"	1"	Red Hub	Red Tire Only	Polyeurathane	\$ STD
<input type="checkbox"/> 3"	1"	Black Hub	Clear Tire Only	Polyeurathane	\$ STD
<input type="checkbox"/> 3"	1"	Aluminum Silver Hub	Black Tire Only	Made By Flog Legs	\$ 160
<input type="checkbox"/> 3"	1"	Aluminum Black Hub	Black Tire Only	Made By Flog Legs	\$ 160
<input type="checkbox"/> 3"	1.5"	Aluminum Silver Hub	Black Tire Only	Soft Roll Made By Flog Legs	\$ 160
<input type="checkbox"/> 3"	1.5"	Aluminum Black Hub	Black Tire Only	Soft Roll Made By Flog Legs	\$ 160
<input type="checkbox"/> 4"	1"	Plastic Black Hub	Black Tire Only	Made By Flog Legs	\$ STD
<input type="checkbox"/> 4"	1"	Plastic Black Hub	Clear Only	Lighted, Polyeurathane	\$ 65
<input type="checkbox"/> 4"	1"	Aluminum Silver Hub	Black Tire Only	Made By Flog Legs	\$ 160
<input type="checkbox"/> 4"	1"	Aluminum Black Hub	Black Tire Only	Made By Flog Legs	\$ 160
<input type="checkbox"/> 4"	1.5"	Composite Black Hub	Tire <input type="checkbox"/> Black <input type="checkbox"/> Blue <input type="checkbox"/> Red	Soft Roll Made By Flog Legs	\$ 120
<input type="checkbox"/> 4"	1.5"	Aluminum Silver Hub	Tire <input type="checkbox"/> Black <input type="checkbox"/> Blue <input type="checkbox"/> Red	Soft Roll Made By Flog Legs	\$ 160
<input type="checkbox"/> 4"	1.5"	Aluminum Black Hub	Black Tire Only	Soft Roll Made By Flog Legs	\$ 160
<input type="checkbox"/> 5"	1"	Composite Black Hub	Black Tire Only		\$ STD
<input type="checkbox"/> 5"	1"	Plastic Black Hub	Clear Tire Only	Lighted, Polyeurathane	\$ 65
<input type="checkbox"/> 5"	1"	Composite Black Hub	Black Tire Only	Made By Flog Legs	\$ 120
<input type="checkbox"/> 5"	1"	Aluminum Silver Hub	Black Tire Only	Made By Flog Legs	\$ 160
<input type="checkbox"/> 5"	1"	Aluminum Black Hub	Black Tire Only	Made By Flog Legs	\$ 160
<input type="checkbox"/> 5"	1.5"	Composite Black Hub	Tire <input type="checkbox"/> Black <input type="checkbox"/> Blue <input type="checkbox"/> Red	Soft Roll Made By Flog Legs	\$ 120
<input type="checkbox"/> 5"	1.5"	Aluminum Silver Hub	Tire <input type="checkbox"/> Black <input type="checkbox"/> Blue <input type="checkbox"/> Red	Soft Roll Made By Flog Legs	\$ 160
<input type="checkbox"/> 5"	1.5"	Aluminum Black Hub	Black Tire Only	Soft Roll Made By Flog Legs	\$ 160

FORKS				
<input type="checkbox"/>	STD Aluminum Forks	Black Only		\$ STD
	Extra Options for Aluminum Forks	<input type="checkbox"/> With Suspension Springs	E1015	\$ 55
		<input type="checkbox"/> With Quick Release Axles	K0073	\$ 107
<input type="checkbox"/>	Frog Leg Suspension Forks	Std 1" Wide (For 3", 4" x 1" width Caster and 5" lighted Caster)	(Not available with Quick Release Axles)	
	Color	<input type="checkbox"/> Anodized Black <input type="checkbox"/> Anodized Silver	E1015	\$ 535
<input type="checkbox"/>	Frog Leg Suspension Forks	1.5" Wide (For 3", 4" x 1.5" width Caster and 5" Caster)	(Not available with Quick Release Axles)	
	Color	<input type="checkbox"/> Anodized Black <input type="checkbox"/> Anodized Silver	E1015	\$ 535

	Sub Total Section C 1/2	\$
	Sub Total Section C 2/2	\$
	<b>Total Section C</b>	<b>\$</b>

## D COMPONENTS

WHEEL LOCKS			
<input type="checkbox"/>	Push to Lock / Anodized Black Only		\$ STD
<input type="checkbox"/>	NEW Compact Push to Lock / Anodized Black Only <input type="checkbox"/> w/ 2" Extension Handle (\$65 up charge)		\$ 110
<input type="checkbox"/>	NEW Compact Scissor Lock / Anodized Black Only		\$ 110
<input type="checkbox"/>	D's Locks (*Not available with Twister, Y-360, Pro Wheels, Mag wheels) (*Does not include installation fee)		\$ 624
* <input type="checkbox"/> Installation fee for D's Locks (\$250) * Installation of OEM parts subject to flat fee labor charge			
PUSH HANDLES			
<input type="checkbox"/>	Integrated w/Fixed Backrest Height / Anodized Black Only		\$ STD
<input type="checkbox"/>	Bolt-on / Anodized Black Only Specify Height from floor ( " )		\$ 142
<input type="checkbox"/>	Bolt-on w/Quick Release / Anodized Black Only Specify Height from floor ( " )		\$ 190
<input type="checkbox"/>	NEW Height Adj. / Anodized Black Only Specify Maximum height from floor ( " )		\$ 295
ARM RESTS			
<input type="checkbox"/>	Aluminum, Padded – Swing Away ( Adj. Height Range 8" - 12.5" ) Set at " from Seat / Anodized Black Only	E0973	\$ 225
<input type="checkbox"/>	Custom Length & Height Aluminum, Padded – Swing Away Armrests Anodized Black Only	E0973	\$ 375
			
ANTI-TIPPERS			
<input type="checkbox"/>	Anti-Tippers (pair) w/ Quick Release / Anodized Black Only	E0971	\$ 112
SIDE GUARDS			
<input type="checkbox"/>	Rigid Side Guards - Black ABS <input type="checkbox"/> Non-Removable <input type="checkbox"/> Removable <input type="checkbox"/> Removable w/Hole (\$10 up charge)		\$ 142
Size: <input type="checkbox"/> STD <input type="checkbox"/> Medium <input type="checkbox"/> Cut to Wheel (\$98 up charge) Measurement			
Color: Black Only			
<input type="checkbox"/>	Rigid Side Guards - Aluminum <input type="checkbox"/> Non-Removable <input type="checkbox"/> Removable		\$ 197
			
Size: <input type="checkbox"/> Medium Only <input type="checkbox"/> Cut to Wheel (\$98 up charge) Measurement			
Color <input type="checkbox"/> Black (STD) <input type="checkbox"/> Pol. Aluminum (STD)			
<input type="checkbox"/> Powder Coated ( ) (\$50 up charge)			
<input type="checkbox"/> Gold Plate (+CFP)			
			
<input type="checkbox"/>	PRO-TEX Fender Guards / (Black ABS -Only) <input type="checkbox"/> Cut to Fit Specs <input type="checkbox"/> Do Not Install		\$ 175
<input type="checkbox"/>	Fabric Clothing Guards Black Nylon w/Velcro		\$ 78
SEAT CUSHION			
<input type="checkbox"/>	Foam Cushion w/Nylon Cover Thickness <input type="checkbox"/> 1" <input type="checkbox"/> 2" <input type="checkbox"/> 3" <input type="checkbox"/> 4"		\$ 78
*Please see section E for other cushion choices.			
MISCELLANEOUS			
<input type="checkbox"/>	Frame Protectors / Black Leather/Zipper Type		\$ 78
<input type="checkbox"/>	K0065 Spoke Protectors / Black Only <input type="checkbox"/> 20" <input type="checkbox"/> 22"	K0065	\$ 107
<input type="checkbox"/>	E0978 Seat Belt w/Auto Buckle (BP) 1.5" Black Belt Only	E0978	\$ 69
<input type="checkbox"/>	Tie Down Brackets 4pcs.		\$ 210
SPECIALTY PARTS			
<input type="checkbox"/>	Wheelchair Tray Size: <input type="checkbox"/> 11" x 13" <input type="checkbox"/> 13" x 15" <input type="checkbox"/> 13" x 17" / Color: <input type="checkbox"/> Raw Alum. <input type="checkbox"/> Black Alum. <input type="checkbox"/> Polish Alum. (\$250 up charge)		\$ 250
<input type="checkbox"/>	Ski Tips on Caster Forks		\$ 275
UPHOLSTERY CHOICE & COLOR		*Positioning Back Available. Please see Section E	
<input type="checkbox"/>	Standard Adjustable Ht Backrest Black Only		\$ STD
<input type="checkbox"/>	Adjustable Tension Backrest Black Only (*Not available with 8" Backrest Height)		\$ 135
Custom	<input type="checkbox"/> Custom Colored For Std. or Adj. Style <input type="checkbox"/> Black <input type="checkbox"/> Red		(\$60 up charge)
Options	<input type="checkbox"/> Fabrics for Fun <input type="checkbox"/> 001 <input type="checkbox"/> 002 <input type="checkbox"/> 003 <input type="checkbox"/> 004 <input type="checkbox"/> 006 <input type="checkbox"/> 010 <input type="checkbox"/> 011		(\$95 up charge)
	For Std. or Adj. Style <input type="checkbox"/> 014 <input type="checkbox"/> 015 <input type="checkbox"/> 016 <input type="checkbox"/> 017 <input type="checkbox"/> 018 <input type="checkbox"/> 020 <input type="checkbox"/> 021		
	<input type="checkbox"/> 022 <input type="checkbox"/> 023 <input type="checkbox"/> 024 <input type="checkbox"/> 025 <input type="checkbox"/> 026 <input type="checkbox"/> 027 <input type="checkbox"/> 028		
<input type="checkbox"/>	Backrest Leather Trim (outside panels)		(\$77 up charge)
<input type="checkbox"/>	Calf Strap <input type="checkbox"/> Black <input type="checkbox"/> Matching Fabric (\$55 up charge) -Select Fabric ( )	K0038	\$ 24
<input type="checkbox"/>	Matching Fabric on Padded Side Guards -Select Fabric ( )		\$ 210
<input type="checkbox"/>	Cushion Cover (Std. Foam Cushion Only)-Select Fabric ( ) Width " Depth " Thickness "...		\$ 90
<b>Total Section D \$</b>			

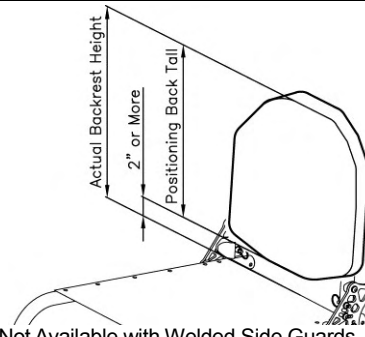
**E CHAIR OPTIONS 1/2**

SEAT CUSHION				
<b>SUPRACOR® WHEELCHAIR CUSHIONS</b>				
<b>Stimulite® Contoured Cushion</b> *Black Upholstery only	<input type="checkbox"/> W 14"xD 16" (CD1416) .....	E2603	\$ 525	
	<input type="checkbox"/> W 16"xD 16" (CD1616) .....	E2603	\$ 525	
	<input type="checkbox"/> W 16"xD 18" (CD1618) .....	E2603	\$ 525	
	<input type="checkbox"/> W 18"xD 16" (CD1816) .....	E2603	\$ 525	
	<input type="checkbox"/> W 18"xD 18" (CD1818) .....	E2603	\$ 525	
	<input type="checkbox"/> W 18"xD 20" (CD1820) .....	E2603	\$ 540	
	<input type="checkbox"/> W 20"xD 16" (CD2016) .....	E2603	\$ 540	
	<input type="checkbox"/> W 20"xD 18" (CD2018) .....	E2603	\$ 540	
	<input type="checkbox"/> W 20"xD 20" (CD2020) .....	E2603	\$ 555	
		<input type="checkbox"/> Extra Sensitive ( <b>\$30 up charge</b> ) <input type="checkbox"/> Sling Style Bottom ( <b>\$45 up charge</b> ) <input type="checkbox"/> Custom Size W(       " ) x D(       " ) ( \$- CFP )		
<b>Stimulite® Slimline Cushion</b> *Black Upholstery only	<input type="checkbox"/> W 14"xD 16" (SM1416) .....	E2603	\$ 495	
	<input type="checkbox"/> W 16"xD 16" (SM1616) .....	E2603	\$ 495	
	<input type="checkbox"/> W 16"xD 18" (SM1618) .....	E2603	\$ 495	
	<input type="checkbox"/> W 18"xD 18" (SM1818) .....	E2603	\$ 495	
	<input type="checkbox"/> W 18"xD 20" (SM1820) .....	E2603	\$ 495	
	<input type="checkbox"/> W 20"xD 16" (SM2016) .....	E2603	\$ 510	
	<input type="checkbox"/> W 20"xD 18" (SM2018) .....	E2603	\$ 510	
	<input type="checkbox"/> W 20"xD 20" (SM2020) .....	E2603	\$ 510	
		<input type="checkbox"/> Extra Sensitive ( <b>\$30 up charge</b> ) <input type="checkbox"/> Sling Style Bottom ( <b>\$45 up charge</b> ) <input type="checkbox"/> Custom Size W(       " ) x D(       " ) ( \$- CFP )		
	<b>Stimulite® Corbee Pediatric</b> *Black Upholstery only	<input type="checkbox"/> W 10"xD 10" (PD1010) .....	E2603	\$ 450
<input type="checkbox"/> W 12"xD 12" (PD1212) .....		E2603	\$ 450	
<input type="checkbox"/> W 14"xD 14" (PD1414) .....		E2603	\$ 450	
	<input type="checkbox"/> Extra Sensitive ( <b>\$30 up charge</b> ) <input type="checkbox"/> Sling Style Bottom ( <b>\$45 up charge</b> ) <input type="checkbox"/> Custom Size W(       " ) x D(       " ) ( \$- CFP )			
<b>ROHO WHEELCHAIR CUSHIONS</b>				
<input type="checkbox"/> <b>4" HIGH PROFILE® QUADTRO SELECT® CUSHION</b> Width (       " ) x Depth (       " )		E2622-2623	\$ 525	
*Available 12"-24" width *Black Upholstery only				
<input type="checkbox"/> <b>3" MID PROFILE® QUADTRO SELECT® CUSHION</b> *Black Upholstery only -Choose Size		E2622-2623	\$ 525	
<input type="checkbox"/> W 15"xD 15 <input type="checkbox"/> W 15"xD 16 <input type="checkbox"/> W 16"xD 16 <input type="checkbox"/> W 16"xD 18 <input type="checkbox"/> W 18"xD 16" <input type="checkbox"/> W 18"xD 18"				
<input type="checkbox"/> <b>2" LOW PROFILE® QUADTRO SELECT® CUSHION</b> *Black Upholstery only   Width (       " ) x Depth (       " )		E2622-2623	\$ 525	
*Available 12"-20" width				
<input type="checkbox"/> <b>2" NEXUS SPIRIT® CUSHION</b> *Black Upholstery only -Choose Size		E2622	\$ 525	
<input type="checkbox"/> W 15"xD 15 <input type="checkbox"/> W 16"xD 16 <input type="checkbox"/> W 16"xD 18 <input type="checkbox"/> W 17"xD 17 <input type="checkbox"/> W 18"xD 16" <input type="checkbox"/> W 18"xD 18" <input type="checkbox"/> W 20"xD 18"				
<b>STAR CUSHIONS</b>				
<b>Galaxy Cushion</b> *Black Upholstery only	<input type="checkbox"/> W 14"xD 14" ( GXY 1414-2) .....	E2624	\$ 405	
	<input type="checkbox"/> W 14"xD 16" ( GXY 1416-2) .....			
	<input type="checkbox"/> W 16"xD 14" ( GXY 1614-2) .....			
	<input type="checkbox"/> W 16"xD 16" ( GXY 1616-2) .....			
	<input type="checkbox"/> W 16"xD 18" ( GXY 1618-2) .....			
	<input type="checkbox"/> W 18"xD 16" ( GXY 1816-2) .....			
	<input type="checkbox"/> W 18"xD 18" ( GXY 1818-2) .....			
	<input type="checkbox"/> W 18"xD 20" ( GXY 1820-2) .....			
	<input type="checkbox"/> W 20"xD 16" ( GXY 2016-2) .....			
	<input type="checkbox"/> W 20"xD 18" ( GXY 2018-2) .....			
<input type="checkbox"/> W 20"xD 20" ( GXY 2020-2) .....				
	Choose Zoning Options <input type="checkbox"/> Standard - Dual Valve <input type="checkbox"/> Dual Valve - Front to Back <input type="checkbox"/> Four Valve <input type="checkbox"/> Simple - Single Valve <input type="checkbox"/> Four Valve - Enhanced <input type="checkbox"/> Four Valve - Front to Back			
<b>NOTE</b>				

**E CHAIR OPTIONS 2/2**

**POSITIONING BACK**

Note : Actual height of the backrest will increase 2" or more.



**ADI CARBON BACKREST (Support Contour-ACTIVE 2.5") \*Not Available with Welded Side Guards**

Mounting Hardware:  2 Point Pro  Quick Release

Height	<input type="checkbox"/> LOW (10" Tall) *Backrest Height requires 12" or more *Available 13"-19" width	Width ( )	E2613	\$ 745
	<input type="checkbox"/> Medium (13" Tall) *Backrest Height requires 15" or more *Available 13"-19" width	Width ( )	E2613	\$ 815
	<input type="checkbox"/> Standard (16" Tall) *Backrest Height requires 18" or more *Available 13"-19" width	Width ( )	E2613	\$ 880
	<input type="checkbox"/> Custom Size ( " Tall ) x ( " width )		E2613	\$ CFP

**ADI ALUMINUM BACKREST (Support Contour-ACTIVE 2.5") \*Not Available with Welded Side Guards**

Mounting Hardware:  2 Point Pro  Quick Release

Height	<input type="checkbox"/> LOW (10" Tall) *Backrest Height requires 12" or more *Available 10"-20" width	Width ( )	E2613	\$ 610
	<input type="checkbox"/> Medium (13" Tall) *Backrest Height requires 15" or more *Available 12"-20" width	Width ( )	E2613	\$ 625
	<input type="checkbox"/> Standard (16" Tall) *Backrest Height requires 18" or more *Available 14"-20" width	Width ( )	E2613	\$ 640
	<input type="checkbox"/> Tall (18" Tall) *Backrest Height requires 20" or more *Available 16"-20" width	Width ( )	E2613	\$ 655
	<input type="checkbox"/> X-Tall (20" Tall) *Backrest Height requires 22" or more *Available 16"-20" width	Width ( )	E2613	\$ 670
	<input type="checkbox"/> Custom Size ( " Tall ) x ( " width )		E2613	\$ CFP

**ADI ALUMINUM BACKREST (Support Contour-DEEP 4") \*Not Available with Welded Side Guards**

Mounting Hardware:  2 Point Pro  Quick Release

Height	<input type="checkbox"/> LOW (10" Tall) *Backrest Height requires 12" or more *Available 10"-20" width	Width ( )	E2615	\$ 710
	<input type="checkbox"/> Medium (13" Tall) *Backrest Height requires 15" or more *Available 12"-20" width	Width ( )	E2615	\$ 725
	<input type="checkbox"/> Standard (16" Tall) *Backrest Height requires 18" or more *Available 14"-20" width	Width ( )	E2615	\$ 740
	<input type="checkbox"/> Tall (18" Tall) *Backrest Height requires 20" or more *Available 16"-20" width	Width ( )	E2615	\$ 755
	<input type="checkbox"/> X-Tall (20" Tall) *Backrest Height requires 22" or more *Available 16"-20" width	Width ( )	E2615	\$ 770
	<input type="checkbox"/> Custom Size ( " Tall ) x ( " width )		E2615	\$ CFP

**OTHER**

<input type="checkbox"/> ADI Transfer Board <input type="checkbox"/> 21" (ADV21) <input type="checkbox"/> 24" (ADV24) <input type="checkbox"/> 29" (ADV29)	\$ 62
<input type="checkbox"/> ADI Push and Transfer Gloves Leather (one size fits)	\$ 60
<input type="checkbox"/> ADI Carbon Solid Seat (Wide: 18" Max, Depth: 20" Max)	\$ 625
<input type="checkbox"/> ADI Folding Carbon Side Guard	\$ 400
<input type="checkbox"/> ADI Fixed Carbon Side Guard	\$ 375

NOTE

Sub Total Section E 1/2 \$

Sub Total Section E 2/2 \$

**Total Section E \$**

**F SPECIAL PARTS COLORS ( Please allow an additional 1-2 weeks delivery)**

**PARTS COLORS**

<b>Powder-Coated</b>	Gloss Black	Twilight Flake	Yellow	Magenta	Fire Engine Red	White
	Candy Blue	Candy Purple	Candy Green	Candy Red	Candy Raspberry	Cobalt Blue
	Matte Gray	Matte Purple	Matte Blue	Matte Green	Matte Black	Matte Red
	Neon Red	Neon Green	Orange Sparkle	Mellon Yellow	Gun Smoke Silver	Pigeon Blue
		Granny Sparkle Green	Sparkle Sky Blue	Vermilion	Reed Green	Blue Lilac

**Special Colors** Polished Aluminum  
24 karat Gold Plated

**Please Choose the Color for each Part**

\*Parts not selected will be black color. (Suspension Spring: Silver Color)

\*Minimum 3 parts selected per order.

\*PC=Powder-Coated

**Saddle Stops**

<input type="checkbox"/> PC ( )	\$40
<input type="checkbox"/> Polished	\$115
<input type="checkbox"/> Gold Plated	\$CFP

**Backrest**

<input type="checkbox"/> PC ( )	\$185
<input type="checkbox"/> Polished	\$225
<input type="checkbox"/> Gold Plated	\$CFP

**Backrest Brackets**

<input type="checkbox"/> PC ( )	\$90
<input type="checkbox"/> Polished	\$115
<input type="checkbox"/> Gold Plated	\$CFP

**Foot Plate**

<input type="checkbox"/> PC ( )	\$45
<input type="checkbox"/> Polished	\$90
<input type="checkbox"/> Gold Plated	\$CFP

**Footrest Rings**

<input type="checkbox"/> PC ( )	\$20
<input type="checkbox"/> Polished	\$40
<input type="checkbox"/> Gold Plated	\$CFP

**Footrest Tubes**

<input type="checkbox"/> PC ( )	\$65
<input type="checkbox"/> Polished	\$85
<input type="checkbox"/> Gold Plated	\$CFP

**Foot Plate Clamps**

<input type="checkbox"/> PC ( )	\$50
<input type="checkbox"/> Polished	\$75
<input type="checkbox"/> Gold Plated	\$CFP

**Front Springs**

<input type="checkbox"/> PC ( )	\$20
<input type="checkbox"/> Polished	N/A
<input type="checkbox"/> Gold Plated	N/A

**Caps**

<input type="checkbox"/> PC ( )	\$20
<input type="checkbox"/> Polished	N/A
<input type="checkbox"/> Gold Plated	N/A

**Caster Housing**

<input type="checkbox"/> PC ( )	\$150
<input type="checkbox"/> Polished	\$280
<input type="checkbox"/> Gold Plated	N/A

**Forks & Knurl Nuts**

<input type="checkbox"/> PC ( )	\$65
<input type="checkbox"/> Polished	\$90
<input type="checkbox"/> Gold Plated	\$CFP

**Axle Bases**

<input type="checkbox"/> PC ( )	\$50
<input type="checkbox"/> Polished	\$75
<input type="checkbox"/> Gold Plated	\$CFP

**Axle Tube**

<input type="checkbox"/> PC ( )	\$50
<input type="checkbox"/> Polished	\$75
<input type="checkbox"/> Gold Plated	\$CFP

**Axle Plates**

<input type="checkbox"/> PC ( )	\$65
<input type="checkbox"/> Polished	\$85
<input type="checkbox"/> Gold Plated	\$CFP

**Camber Plates**

<input type="checkbox"/> PC ( )	\$50
<input type="checkbox"/> Polished	\$75
<input type="checkbox"/> Gold Plated	\$CFP

**Total Section F \$**