

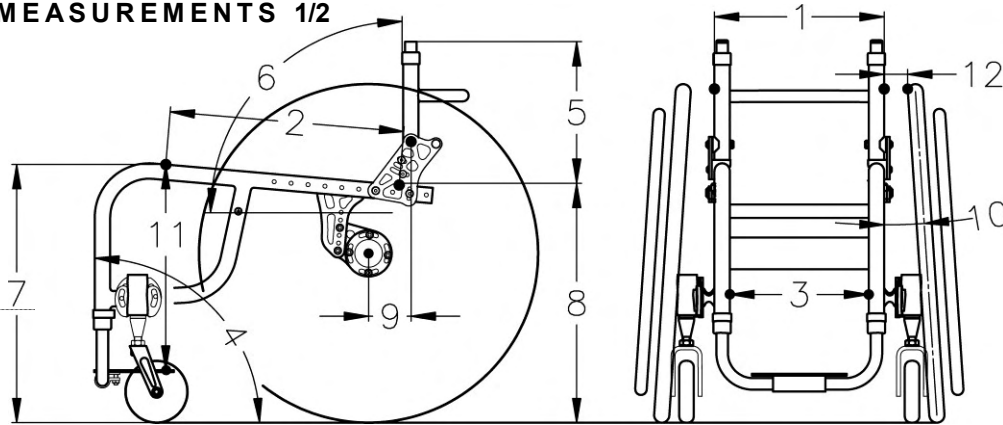
DEALER			COLOURS INFORMATION For Office Use Only		
Dealer:			Order Date: S/N:		
Account:		P.O.#:	RTS		
Ordered By:			RTS: Phone:		
Address:			Email:		
City:		State:	Zip:		
Phone:		Fax:	SHIP TO		
Email:			Name: Ship Via:		
Customer Name:			Address:		
Note			City: State: Zip:		
			Phone: Fax:		

CHAIR INFORMATION	PRICE
CHUMP-G E1238	Base Wheel Chair Price E1238 \$ 1,550
Adjustable FSH-RSH	Total Section A \$
Max. Capacity 250Lbs	Total Section B \$
NOTE	Total Section C \$
Chump-G is the economical solution when you want to grow your Chair by changing the seat depth and width after ordering.	Total Section D \$
	Total Section E \$
	\$
	ORDER GRAND TOTAL \$

A FRAME COLORS & PARTS COLORS

FRAME COLORS		
Powder-Coated	<input type="checkbox"/> Gloss Black <input type="checkbox"/> Twilight Flake <input type="checkbox"/> Yellow <input type="checkbox"/> Magenta <input type="checkbox"/> Fire Engine Red <input type="checkbox"/> White <input type="checkbox"/> Candy Blue <input type="checkbox"/> Candy Purple <input type="checkbox"/> Candy Green <input type="checkbox"/> Candy Red <input type="checkbox"/> Candy Raspberry <input type="checkbox"/> Cobalt Blue <input type="checkbox"/> Matte Gray <input type="checkbox"/> Matte Purple <input type="checkbox"/> Matte Blue <input type="checkbox"/> Matte Green <input type="checkbox"/> Matte Black <input type="checkbox"/> Matte Red <input type="checkbox"/> Neon Red <input type="checkbox"/> Neon Green <input type="checkbox"/> Orange Sparkle <input type="checkbox"/> Mellon Yellow <input type="checkbox"/> Gun Smoke Silver <input type="checkbox"/> Pigeon Blue <input type="checkbox"/> Granny Sparkle Green <input type="checkbox"/> Sparkle Sky Blue <input type="checkbox"/> Vermilion <input type="checkbox"/> Reed Green <input type="checkbox"/> Blue Lilac	\$ STD
Special Colors	<input type="checkbox"/> Polished Aluminum <input type="checkbox"/> 24 karat Gold Plated	\$ 800 \$ CFP
PARTS COLORS		
STD Color	Black Color (*Suspension Springs-Silver Color Only).....	\$ STD
Custom Color Main Bolt on Parts One Color Package	<input type="checkbox"/> Powder-Coated () <input type="checkbox"/> Polished Aluminum <input type="checkbox"/> 24 karat Gold Plated	\$ 500 \$ 750 \$ CFP
Including: Backrest, Foot Plate, Footrest Rings, Backrest Brackets, Saddle Stops, Forks & Knurl Nuts, Caps, Front Suspension Springs, Axle Tube, Axle Plates, Axle Bases, Camber Discs☆marked parts		
Total Section A		\$

B FRAME MEASUREMENTS 1/2

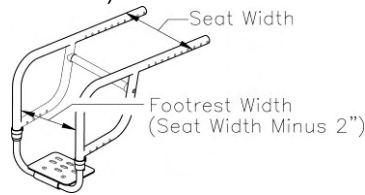


1. SEAT WIDTH	<input type="checkbox"/> 10" <input type="checkbox"/> 11" <input type="checkbox"/> 12" <input type="checkbox"/> 13" <input type="checkbox"/> 14" 	\$ STD
----------------------	--	----------

2. SEAT DEPTH	Depth Adj. Frame <input type="checkbox"/> Short Frame (12" Depth) Set at <input type="checkbox"/> 10" <input type="checkbox"/> 11" <input type="checkbox"/> 12" 	\$ STD
	<input type="checkbox"/> STD. Frame (15" Depth) Set at <input type="checkbox"/> 11" <input type="checkbox"/> 12" <input type="checkbox"/> 13" <input type="checkbox"/> 14" <input type="checkbox"/> 15"	\$ STD

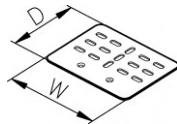
3. FOOTREST WIDTH	<input type="checkbox"/> STD (Seat Width Minus 2", No Taper Frame) 	\$ STD
--------------------------	---	----------

*No Custom Modifications



FOOT PLATE STYLE	<input type="checkbox"/> Standard single loop with adjust. height & angle. STD Foot Plate 	K0040 \$ STD
	<input type="checkbox"/> Single Flip-Back-single loop (no riser avail) with adjust. height & angle. STD Foot Plate 	K0040 \$ 150

STD Foot Plate Size Chart

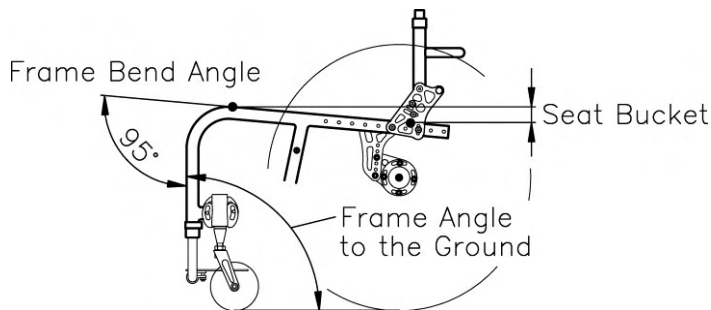


Your Seat Width	Foot Plate Size
10"-12"	STD (W6.5"xD5")
13"-14"	Large (W8.5"xD6.5")

*No Custom Modifications

4. FRAME BEND ANGLE	<input type="checkbox"/> 95° only 	\$ STD
----------------------------	---	----------

*No Custom Modifications



FRAME ANGLE to the Ground

		Your Seat Depth					
		10"	11"	12"	13"	14"	15"
Seat Bucket	0"	95°	95°	95°	95°	95°	95°
	1"	89°	90°	90°	91°	91°	91°
	2"	83°	85°	85°	86°	87°	87°
	3"	78°	79°	81°	82°	83°	83°
	4"	71°	74°	76°	77°	78°	80°
5"	65°	68°	70°	72°	74°	76°	

C WHEELS, TIRES & CASTERS, FORKS 2/2

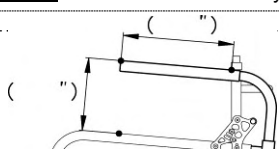
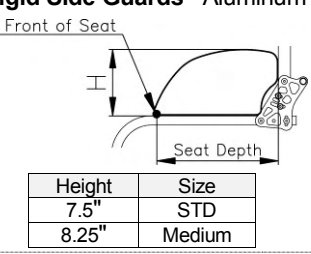
TIRES				
<input type="checkbox"/>	High Pressure Tire	20"x1"	Gray Tire Only	E2211/E2212 \$ STD
<input type="checkbox"/>	High Pressure Tire	22"x1"	Gray Tire with black wall Only	E2211/E2212 \$ 65
<input type="checkbox"/>	Low Pressure Tire	<input type="checkbox"/> 20"x1-3/8" or <input type="checkbox"/> 22"x1-3/8" Gray Only		E2211/E2212 \$ STD
<input type="checkbox"/>	Solid Tire	<input type="checkbox"/> 20"x1", <input type="checkbox"/> 22"x1"	<input type="checkbox"/> Dark Gray <input type="checkbox"/> Black(\$30up charge)	E2218 \$ 135
<input type="checkbox"/>	E2213 Flat-Free Inserts	For 20"x1-3/8" or 22"x1-3/8" Tires Only		E2211/E2213 \$ 117

CASTERS					
SIZE	TIRE WIDTH	HUB COLOR	TIRE COLOR	DESCRIPTION	
<input type="checkbox"/> 3"	1"	Black Hub	Black Tire Only	Polyeurathane	\$ STD
<input type="checkbox"/> 3"	1"	Plastic Black Hub	Clear Tire Only	Lighted, Polyeurathane	\$ 65
<input type="checkbox"/> 3"	1"	Red Hub	Red Tire Only	Polyeurathane	\$ STD
<input type="checkbox"/> 3"	1"	Black Hub	Clear Tire Only	Polyeurathane	\$ STD
<input type="checkbox"/> 3"	1"	Aluminum Silver Hub	Black Tire Only	Made By Flog Legs	\$ 160
<input type="checkbox"/> 3"	1"	Aluminum Black Hub	Black Tire Only	Made By Flog Legs	\$ 160
<input type="checkbox"/> 3"	1.5"	Aluminum Silver Hub	Black Tire Only	Soft Roll Made By Flog Legs	\$ 160
<input type="checkbox"/> 3"	1.5"	Aluminum Black Hub	Black Tire Only	Soft Roll Made By Flog Legs	\$ 160
<input type="checkbox"/> 4"	1"	Plastic Black Hub	Black Tire Only	Made By Flog Legs	\$ STD
<input type="checkbox"/> 4"	1"	Plastic Black Hub	Clear Only	Lighted, Polyeurathane	\$ 65
<input type="checkbox"/> 4"	1"	Aluminum Silver Hub	Black Tire Only	Made By Flog Legs	\$ 160
<input type="checkbox"/> 4"	1"	Aluminum Black Hub	Black Tire Only	Made By Flog Legs	\$ 160
<input type="checkbox"/> 4"	1.5"	Composite Black Hub	Tire <input type="checkbox"/> Black <input type="checkbox"/> Blue <input type="checkbox"/> Red	Soft Roll Made By Flog Legs	\$ 120
<input type="checkbox"/> 4"	1.5"	Aluminum Silver Hub	Tire <input type="checkbox"/> Black <input type="checkbox"/> Blue <input type="checkbox"/> Red	Soft Roll Made By Flog Legs	\$ 160
<input type="checkbox"/> 4"	1.5"	Aluminum Black Hub	Black Tire Only	Soft Roll Made By Flog Legs	\$ 160
<input type="checkbox"/> 5"	1"	Composite Black Hub	Black Tire Only		\$ STD
<input type="checkbox"/> 5"	1"	Plastic Black Hub	Clear Tire Only	Lighted, Polyeurathane	\$ 65
<input type="checkbox"/> 5"	1"	Composite Black Hub	Black Tire Only	Made By Flog Legs	\$ 120
<input type="checkbox"/> 5"	1"	Aluminum Silver Hub	Black Tire Only	Made By Flog Legs	\$ 160
<input type="checkbox"/> 5"	1"	Aluminum Black Hub	Black Tire Only	Made By Flog Legs	\$ 160
<input type="checkbox"/> 5"	1.5"	Composite Black Hub	Tire <input type="checkbox"/> Black <input type="checkbox"/> Blue <input type="checkbox"/> Red	Soft Roll Made By Flog Legs	\$ 120
<input type="checkbox"/> 5"	1.5"	Aluminum Silver Hub	Tire <input type="checkbox"/> Black <input type="checkbox"/> Blue <input type="checkbox"/> Red	Soft Roll Made By Flog Legs	\$ 160
<input type="checkbox"/> 5"	1.5"	Aluminum Black Hub	Black Tire Only	Soft Roll Made By Flog Legs	\$ 160

FORKS				
<input type="checkbox"/>	STD Aluminum Forks	Black Only		\$ STD
	Extra Options for Aluminum Forks	<input type="checkbox"/> With Suspension Springs	E1015	\$ 55
		<input type="checkbox"/> With Quick Release Axles	K0073	\$ 107
<input type="checkbox"/>	Frog Leg Suspension Forks	Std 1" Wide (For 3", 4" x 1" width Caster and 5" lighted Caster)	(Not available with Quick Release Axles)	
	Color	<input type="checkbox"/> Anodized Black <input type="checkbox"/> Anodized Silver	E1015	\$ 535
<input type="checkbox"/>	Frog Leg Suspension Forks	1.5" Wide (For 3", 4" x 1.5" width Caster and 5" Caster)	(Not available with Quick Release Axles)	
	Color	<input type="checkbox"/> Anodized Black <input type="checkbox"/> Anodized Silver	E1015	\$ 535

	Sub Total Section C 1/2	\$
	Sub Total Section C 2/2	\$
	Total Section C	\$

D COMPONENTS

WHEEL LOCKS								
<input type="checkbox"/> Push to Lock / Anodized Black Only		\$ STD						
<input type="checkbox"/> NEW Compact Push to Lock / Anodized Black Only <input type="checkbox"/> w/ 2" Extension Handle (\$65 up charge)		\$ 110						
<input type="checkbox"/> NEW Compact Scissor Lock / Anodized Black Only		\$ 110						
<input type="checkbox"/> D's Locks (*Not available with Twister, Y-360, Pro Wheels, Mag wheels) (*Does not include installation fee)		\$ 624						
* <input type="checkbox"/> Installation fee for D's Locks (\$250) * Installation of OEM parts subject to flat fee labor charge								
PUSH HANDLES								
<input type="checkbox"/> Integrated w/Fixed Backrest Height / Anodized Black Only		\$ STD						
<input type="checkbox"/> Bolt-on / Anodized Black Only Specify Height from floor (")		\$ 142						
<input type="checkbox"/> Bolt-on w/Quick Release / Anodized Black Only Specify Height from floor (")		\$ 190						
<input type="checkbox"/> NEW Height Adj. / Anodized Black Only Specify Maximum height from floor (")		\$ 295						
ARM RESTS								
<input type="checkbox"/> Aluminum, Padded – Swing Away (Adj. Height Range 8" - 12.5") Set at " from Seat / Anodized Black Only	E0973	\$ 225						
<input type="checkbox"/> Custom Length & Height Aluminum, Padded – Swing Away Armrests Anodized Black Only	E0973	\$ 375						
								
ANTI-TIPPERS								
<input type="checkbox"/> Anti-Tippers (pair) w/ Quick Release / Anodized Black Only	E0971	\$ 112						
SIDE GUARDS								
<input type="checkbox"/> Rigid Side Guards - Black ABS <input type="checkbox"/> Non-Removable <input type="checkbox"/> Removable <input type="checkbox"/> Removable w/Hole (\$10 up charge)		\$ 142						
Size: <input type="checkbox"/> STD <input type="checkbox"/> Medium <input type="checkbox"/> Cut to Wheel (\$98 up charge)	Measurement							
Color: Black Only								
<input type="checkbox"/> Rigid Side Guards - Aluminum <input type="checkbox"/> Non-Removable <input type="checkbox"/> Removable		\$ 197						
Size: <input type="checkbox"/> Medium Only <input type="checkbox"/> Cut to Wheel (\$98 up charge)	Measurement							
Color <input type="checkbox"/> Black (STD) <input type="checkbox"/> Pol. Aluminum (STD)								
<input type="checkbox"/> Powder Coated () (\$50 up charge)								
<input type="checkbox"/> Gold Plate (+CFP)								
								
<table border="1" style="margin-left: auto; margin-right: auto;"> <tr> <th>Height</th> <th>Size</th> </tr> <tr> <td>7.5"</td> <td>STD</td> </tr> <tr> <td>8.25"</td> <td>Medium</td> </tr> </table>	Height	Size	7.5"	STD	8.25"	Medium		
Height	Size							
7.5"	STD							
8.25"	Medium							
<input type="checkbox"/> PRO-TEX Fender Guards / (Black ABS -Only) <input type="checkbox"/> Cut to Fit Specs <input type="checkbox"/> Do Not Install		\$ 175						
<input type="checkbox"/> Fabric Clothing Guards Black Nylon w/Velcro		\$ 78						
SEAT CUSHION								
<input type="checkbox"/> Foam Cushion w/Nylon Cover Thickness <input type="checkbox"/> 1" <input type="checkbox"/> 2" <input type="checkbox"/> 3" <input type="checkbox"/> 4"		\$ 78						
*Please see section E for other cushion choices.								
MISCELLANEOUS								
<input type="checkbox"/> Frame Protectors / Black Leather/Zipper Type		\$ 78						
<input type="checkbox"/> K0065 Spoke Protectors / Black Only <input type="checkbox"/> 20" <input type="checkbox"/> 22"	K0065	\$ 107						
<input type="checkbox"/> E0978 Seat Belt w/Auto Buckle (BP) 1.5" Black Belt Only	E0978	\$ 69						
<input type="checkbox"/> Tie Down Brackets 4pcs.		\$ 210						
SPECIALTY PARTS								
<input type="checkbox"/> Wheelchair Tray Size: <input type="checkbox"/> 11" x 13" <input type="checkbox"/> 13" x 15" <input type="checkbox"/> 13" x 17" / Color: <input type="checkbox"/> Raw Alum. <input type="checkbox"/> Black Alum. <input type="checkbox"/> Polish Alum. (\$250 up charge)		\$ 250						
<input type="checkbox"/> Ski Tips on Caster Forks		\$ 275						
UPHOLSTERY CHOICE & COLOR		*Positioning Back Available. Please see Section E						
<input type="checkbox"/> Standard Adjustable Ht Backrest Black Only		\$ STD						
<input type="checkbox"/> Adjustable Tension Backrest Black Only (*Not available with 8" Backrest Height)		\$ 135						
Custom <input type="checkbox"/> Custom Colored For Std. or Adj. Style <input type="checkbox"/> Black <input type="checkbox"/> Red		(\$60 up charge)						
Options <input type="checkbox"/> Fabrics for Fun <input type="checkbox"/> 001 <input type="checkbox"/> 002 <input type="checkbox"/> 003 <input type="checkbox"/> 004 <input type="checkbox"/> 006 <input type="checkbox"/> 010 <input type="checkbox"/> 011		(\$95 up charge)						
For Std. or Adj. Style <input type="checkbox"/> 014 <input type="checkbox"/> 015 <input type="checkbox"/> 016 <input type="checkbox"/> 017 <input type="checkbox"/> 018 <input type="checkbox"/> 020 <input type="checkbox"/> 021								
<input type="checkbox"/> 022 <input type="checkbox"/> 023 <input type="checkbox"/> 024 <input type="checkbox"/> 025 <input type="checkbox"/> 026 <input type="checkbox"/> 027 <input type="checkbox"/> 028								
<input type="checkbox"/> Backrest Leather Trim (outside panels)		(\$77 up charge)						
<input type="checkbox"/> Calf Strap <input type="checkbox"/> Black <input type="checkbox"/> Matching Fabric (\$55 up charge) -Select Fabric ()	K0038	\$ 24						
<input type="checkbox"/> Matching Fabric on Padded Side Guards -Select Fabric ()		\$ 210						
<input type="checkbox"/> Cushion Cover (Std. Foam Cushion Only)-Select Fabric () Width " Depth " Thickness "...		\$ 90						
Total Section D \$								

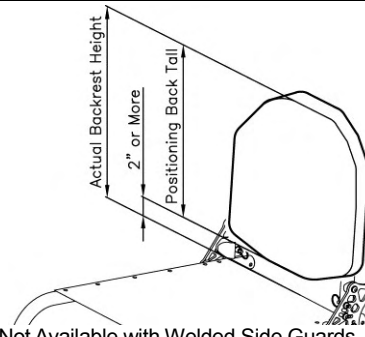
E CHAIR OPTIONS 1/2

SEAT CUSHION				
SUPRACOR® WHEELCHAIR CUSHIONS				
Stimulite® Contoured Cushion *Black Upholstery only	<input type="checkbox"/> W 14"xD 16" (CD1416)	E2603	\$ 525	
	<input type="checkbox"/> W 16"xD 16" (CD1616)	E2603	\$ 525	
	<input type="checkbox"/> W 16"xD 18" (CD1618)	E2603	\$ 525	
	<input type="checkbox"/> W 18"xD 16" (CD1816)	E2603	\$ 525	
	<input type="checkbox"/> W 18"xD 18" (CD1818)	E2603	\$ 525	
	<input type="checkbox"/> W 18"xD 20" (CD1820)	E2603	\$ 540	
	<input type="checkbox"/> W 20"xD 16" (CD2016)	E2603	\$ 540	
	<input type="checkbox"/> W 20"xD 18" (CD2018)	E2603	\$ 540	
	<input type="checkbox"/> W 20"xD 20" (CD2020)	E2603	\$ 555	
		<input type="checkbox"/> Extra Sensitive (\$30 up charge) <input type="checkbox"/> Sling Style Bottom (\$45 up charge) <input type="checkbox"/> Custom Size W(") x D(") (\$- CFP)		
Stimulite® Slimline Cushion *Black Upholstery only	<input type="checkbox"/> W 14"xD 16" (SM1416)	E2603	\$ 495	
	<input type="checkbox"/> W 16"xD 16" (SM1616)	E2603	\$ 495	
	<input type="checkbox"/> W 16"xD 18" (SM1618)	E2603	\$ 495	
	<input type="checkbox"/> W 18"xD 18" (SM1818)	E2603	\$ 495	
	<input type="checkbox"/> W 18"xD 20" (SM1820)	E2603	\$ 495	
	<input type="checkbox"/> W 20"xD 16" (SM2016)	E2603	\$ 510	
	<input type="checkbox"/> W 20"xD 18" (SM2018)	E2603	\$ 510	
	<input type="checkbox"/> W 20"xD 20" (SM2020)	E2603	\$ 510	
		<input type="checkbox"/> Extra Sensitive (\$30 up charge) <input type="checkbox"/> Sling Style Bottom (\$45 up charge) <input type="checkbox"/> Custom Size W(") x D(") (\$- CFP)		
	Stimulite® Corbee Pediatric *Black Upholstery only	<input type="checkbox"/> W 10"xD 10" (PD1010)	E2603	\$ 450
<input type="checkbox"/> W 12"xD 12" (PD1212)		E2603	\$ 450	
<input type="checkbox"/> W 14"xD 14" (PD1414)		E2603	\$ 450	
	<input type="checkbox"/> Extra Sensitive (\$30 up charge) <input type="checkbox"/> Sling Style Bottom (\$45 up charge) <input type="checkbox"/> Custom Size W(") x D(") (\$- CFP)			
ROHO WHEELCHAIR CUSHIONS				
<input type="checkbox"/> 4" HIGH PROFILE® QUADTRO SELECT® CUSHION Width (") x Depth (")		E2622-2623	\$ 525	
*Available 12"-24" width *Black Upholstery only				
<input type="checkbox"/> 3" MID PROFILE® QUADTRO SELECT® CUSHION *Black Upholstery only -Choose Size		E2622-2623	\$ 525	
<input type="checkbox"/> W 15"xD 15 <input type="checkbox"/> W 15"xD 16 <input type="checkbox"/> W 16"xD 16 <input type="checkbox"/> W 16"xD 18 <input type="checkbox"/> W 18"xD 16" <input type="checkbox"/> W 18"xD 18"				
<input type="checkbox"/> 2" LOW PROFILE® QUADTRO SELECT® CUSHION *Black Upholstery only Width (") x Depth (")		E2622-2623	\$ 525	
*Available 12"-20" width				
<input type="checkbox"/> 2" NEXUS SPIRIT® CUSHION *Black Upholstery only -Choose Size		E2622	\$ 525	
<input type="checkbox"/> W 15"xD 15 <input type="checkbox"/> W 16"xD 16 <input type="checkbox"/> W 16"xD 18 <input type="checkbox"/> W 17"xD 17 <input type="checkbox"/> W 18"xD 16" <input type="checkbox"/> W 18"xD 18" <input type="checkbox"/> W 20"xD 18"				
STAR CUSHIONS				
Galaxy Cushion *Black Upholstery only	<input type="checkbox"/> W 14"xD 14" (GXY 1414-2)	E2624	\$ 405	
	<input type="checkbox"/> W 14"xD 16" (GXY 1416-2)			
	<input type="checkbox"/> W 16"xD 14" (GXY 1614-2)			
	<input type="checkbox"/> W 16"xD 16" (GXY 1616-2)			
	<input type="checkbox"/> W 16"xD 18" (GXY 1618-2)			
	<input type="checkbox"/> W 18"xD 16" (GXY 1816-2)			
	<input type="checkbox"/> W 18"xD 18" (GXY 1818-2)			
	<input type="checkbox"/> W 18"xD 20" (GXY 1820-2)			
	<input type="checkbox"/> W 20"xD 16" (GXY 2016-2)			
	<input type="checkbox"/> W 20"xD 18" (GXY 2018-2)			
<input type="checkbox"/> W 20"xD 20" (GXY 2020-2)				
	Choose Zoning Options <input type="checkbox"/> Standard - Dual Valve <input type="checkbox"/> Dual Valve - Front to Back <input type="checkbox"/> Four Valve <input type="checkbox"/> Simple - Single Valve <input type="checkbox"/> Four Valve - Enhanced <input type="checkbox"/> Four Valve - Front to Back			
NOTE				

E CHAIR OPTIONS 2/2

POSITIONING BACK

Note : Actual height of the backrest will increase 2" or more.



ADI CARBON BACKREST (Support Contour-ACTIVE 2.5") *Not Available with Welded Side Guards

Mounting Hardware: 2 Point Pro Quick Release

Height	<input type="checkbox"/> LOW (10" Tall) *Backrest Height requires 12" or more *Available 13"-19" width	Width ()	E2613	\$ 745
	<input type="checkbox"/> Medium (13" Tall) *Backrest Height requires 15" or more *Available 13"-19" width	Width ()	E2613	\$ 815
	<input type="checkbox"/> Standard (16" Tall) *Backrest Height requires 18" or more *Available 13"-19" width	Width ()	E2613	\$ 880
	<input type="checkbox"/> Custom Size (" Tall) x (" width)		E2613	\$ CFP

ADI ALUMINUM BACKREST (Support Contour-ACTIVE 2.5") *Not Available with Welded Side Guards

Mounting Hardware: 2 Point Pro Quick Release

Height	<input type="checkbox"/> LOW (10" Tall) *Backrest Height requires 12" or more *Available 10"-20" width	Width ()	E2613	\$ 610
	<input type="checkbox"/> Medium (13" Tall) *Backrest Height requires 15" or more *Available 12"-20" width	Width ()	E2613	\$ 625
	<input type="checkbox"/> Standard (16" Tall) *Backrest Height requires 18" or more *Available 14"-20" width	Width ()	E2613	\$ 640
	<input type="checkbox"/> Tall (18" Tall) *Backrest Height requires 20" or more *Available 16"-20" width	Width ()	E2613	\$ 655
	<input type="checkbox"/> X-Tall (20" Tall) *Backrest Height requires 22" or more *Available 16"-20" width	Width ()	E2613	\$ 670
	<input type="checkbox"/> Custom Size (" Tall) x (" width)		E2613	\$ CFP

ADI ALUMINUM BACKREST (Support Contour-DEEP 4") *Not Available with Welded Side Guards

Mounting Hardware: 2 Point Pro Quick Release

Height	<input type="checkbox"/> LOW (10" Tall) *Backrest Height requires 12" or more *Available 10"-20" width	Width ()	E2615	\$ 710
	<input type="checkbox"/> Medium (13" Tall) *Backrest Height requires 15" or more *Available 12"-20" width	Width ()	E2615	\$ 725
	<input type="checkbox"/> Standard (16" Tall) *Backrest Height requires 18" or more *Available 14"-20" width	Width ()	E2615	\$ 740
	<input type="checkbox"/> Tall (18" Tall) *Backrest Height requires 20" or more *Available 16"-20" width	Width ()	E2615	\$ 755
	<input type="checkbox"/> X-Tall (20" Tall) *Backrest Height requires 22" or more *Available 16"-20" width	Width ()	E2615	\$ 770
	<input type="checkbox"/> Custom Size (" Tall) x (" width)		E2615	\$ CFP

OTHER

<input type="checkbox"/> ADI Transfer Board	<input type="checkbox"/> 21" (ADV21) <input type="checkbox"/> 24" (ADV24) <input type="checkbox"/> 29" (ADV29)	\$ 62
<input type="checkbox"/> ADI Push and Transfer Gloves	Leather (one size fits)	\$ 60
<input type="checkbox"/> ADI Carbon Solid Seat	(Wide: 18" Max, Depth: 20" Max)	\$ 625
<input type="checkbox"/> ADI Folding Carbon Side Guard		\$ 400
<input type="checkbox"/> ADI Fixed Carbon Side Guard		\$ 375

NOTE

Sub Total Section E 1/2 \$

Sub Total Section E 2/2 \$

Total Section E \$